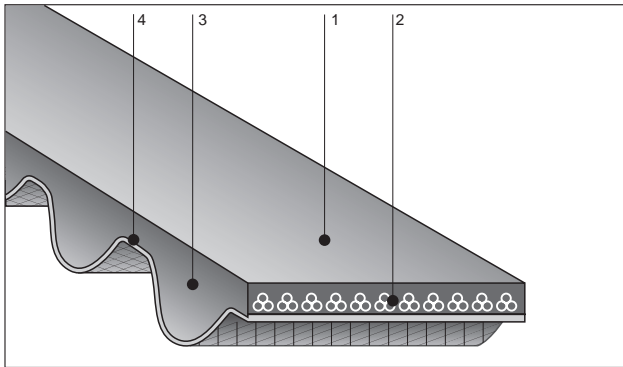


BANDO SUPER TORQUE SYNCHRONOUS (STS) BELTS



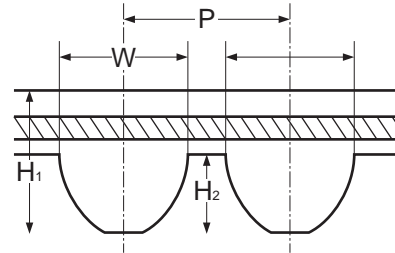
Features

- **High torque capacity drive**
Unique tooth profile enables the belt to transmit higher power.
- **Lower noise level**
Smoother tooth engagement and direct contact of tooth top with the pulley grooves enables the belt to run quietly even at high speeds.
- **Long service life**
As the belt tooth meshes with the pulley grooves, the cord layer forms an almost true circle. This minimizes the cantilever effect on the cords, resulting in reduced bending fatigue and longer service life.
- **No maintenance**
No lubrication or retensioning required.
- **Space saving**
Due to higher power transmission capacity, the belt width and the pulley width can be designed more narrowly.
This means machine space can be reduced and the machine can be designed more compactly.

Construction

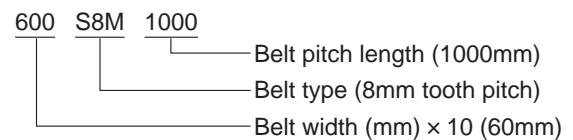
- 1: Chloroprene rubber backing
- 2: Glass fiber tensile member
- 3: Chloroprene rubber teeth
- 4: Nylon canvas

Dimensions



Type	P	H ₁	H ₂	W
S1.5M	1.5mm	1.12mm	0.57mm	0.98mm
S2M	2.0mm (0.078")	1.31mm (0.052")	0.76mm (0.029")	1.3mm (0.051")
S3M	3.0mm (0.118")	2.1mm (0.083")	1.14mm (0.044")	1.95mm (0.076")
S4.5M	4.5mm (0.177")	2.70mm (0.106")	1.71mm (0.067")	2.93mm (0.115")
S5M	5.0mm (0.197")	3.61mm (0.142")	1.91mm (0.075")	3.25mm (0.128")
S8M	8.0mm (0.315")	5.3mm (0.212")	3.05mm (0.120")	5.20mm (0.205")
S14M	14.0mm (0.551")	10.2mm (0.402")	5.30mm (0.209")	9.10mm (0.358")

Size Mark



Standard Belt Width

Width Mark	40	60	100	150	200	250	400	600	800	1000	1200
Width (mm)	4	6	10	15	20	25	40	60	80	100	120
S1.5M	●	●	●								
S2M	●	●	●	●	●						
S3M		●	●	●							
S4.5M		●	●	●							
S5M			●	●	●	●					
S8M				●		●	●	●			
S14M							●	●	●	●	●

BANDO SUPER TORQUE SYNCHRONOUS (STS) BELTS

Standard Belt Length

BELT TYPE	BELT PITCH (mm)	BELT NUMBER (PITCH LENGTH mm)
S1.5M (Rubber)	1.5	92, 93, 95, 98, 99, 101, 102, 108, 119, 134, 150, 158, 161, 164, 165, 168, 174, 180, 185, 186, 204, 206, 210, 224, 225, 236, 240, 255, 261, 263, 273, 281, 288, 290, 303, 305, 315, 335, 390, 441, 444, 480, 1116
S2M (Rubber)	2.0	74, 76, 80, 84, 86, 88, 90, 92, 94, 98, 100, 102, 104, 106, 108, 112, 114, 116, 118, 120, 122, 124, 126, 128, 130, 132, 134, 138, 140, 142, 144, 148, 150, 152, 156, 158, 160, 162, 164, 166, 168, 170, 172, 174, 176, 178, 180, 182, 184, 186, 190, 192, 194, 198, 200, 202, 204, 210, 212, 214, 216, 218, 220, 222, 224, 226, 230, 232, 234, 236, 238, 240, 242, 244, 248, 250, 254, 256, 258, 260, 262, 264, 266, 272, 274, 278, 280, 282, 284, 286, 288, 290, 292, 296, 300, 308, 310, 312, 314, 316, 318, 320, 322, 324, 326, 328, 330, 332, 338, 340, 342, 344, 350, 360, 364, 370, 372, 374, 376, 380, 386, 390, 396, 400, 406, 408, 416, 420, 426, 428, 438, 448, 452, 454, 460, 468, 474, 486, 490, 494, 500, 520, 530, 532, 540, 550, 558, 560, 572, 580, 594, 596, 600, 604, 606, 620, 630, 632, 650, 652, 656, 668, 676, 692, 700, 710, 742, 752, 754, 766, 796, 800, 810, 826, 898, 900, 940, 946, 950, 984, 1000, 1032, 1036, 1066, 1074, 1100, 1110, 1136, 1154, 1166, 1224, 1228
S3M (Rubber)	3.0	93, 99, 108, 120, 123, 129, 144, 150, 156, 159, 162, 168, 171, 174, 177, 180, 183, 186, 189, 192, 195, 198, 201, 204, 207, 210, 213, 219, 222, 225, 228, 234, 237, 240, 243, 246, 249, 252, 255, 258, 264, 267, 270, 273, 276, 279, 282, 285, 288, 291, 297, 300, 303, 309, 312, 315, 318, 324, 327, 330, 333, 336, 339, 342, 351, 354, 360, 363, 366, 369, 372, 375, 378, 384, 387, 390, 396, 399, 402, 405, 408, 417, 420, 423, 426, 432, 438, 444, 447, 453, 459, 468, 471, 474, 480, 486, 489, 492, 498, 501, 507, 513, 516, 519, 522, 525, 534, 537, 540, 549, 552, 555, 564, 573, 579, 588, 597, 600, 609, 621, 633, 648, 657, 660, 666, 681, 690, 699, 726, 735, 741, 750, 768, 771, 789, 804, 810, 825, 852, 882, 885, 888, 900, 918, 927, 936, 990, 1119, 1134, 1146, 1188, 1299, 1419, 1530
S4.5M (Rubber)	4.5	162, 180, 198, 225, 239, 252, 279, 284, 315, 324, 351, 383, 396, 450, 491, 504, 518, 558, 563, 612, 630, 711, 729, 801, 1031, 2111
S5M (Rubber)	5.0	225, 230, 255, 275, 295, 300, 320, 325, 350, 375, 380, 390, 400, 410, 420, 425, 435, 440, 445, 450, 475, 490, 500, 520, 525, 550, 560, 565, 570, 575, 600, 625, 635, 645, 650, 665, 670, 675, 695, 700, 710, 725, 740, 750, 765, 770, 775, 800, 810, 830, 850, 860, 870, 900, 920, 940, 950, 965, 975, 1000, 1025, 1050, 1125, 1135, 1145, 1195, 1225, 1250, 1260, 1270, 1295, 1350, 1420, 1595, 1715, 1800, 2000
S8M (Rubber)	8.0	352, 384, 408, 424, 456, 480, 520, 528, 560, 584, 600, 632, 640, 656, 672, 680, 712, 720, 728, 760, 800, 824, 840, 848, 880, 888, 896, 920, 944, 960, 976, 984, 1000, 1032, 1040, 1056, 1096, 1120, 1136, 1152, 1160, 1184, 1192, 1200, 1216, 1224, 1240, 1248, 1272, 1280, 1296, 1312, 1344, 1352, 1384, 1392, 1400, 1424, 1440, 1480, 1520, 1552, 1600, 1728, 1760, 1776, 1800, 1808, 1880, 1952, 2000, 2120, 2160, 2240, 2304, 2400, 2496, 2560, 2600, 2800, 2880, 2944, 3200, 3600, 3720, 3904, 4400
S14M (Rubber)	14.0	1008, 1120, 1190, 1246, 1400, 1540, 1610, 1652, 1778, 1806, 1890, 1904, 1960, 2002, 2100, 2240, 2310, 2380, 2450, 2506, 2590, 2660, 2800, 3150, 3248, 3500, 3556, 3850, 4004, 4060, 4326, 4508, 5012