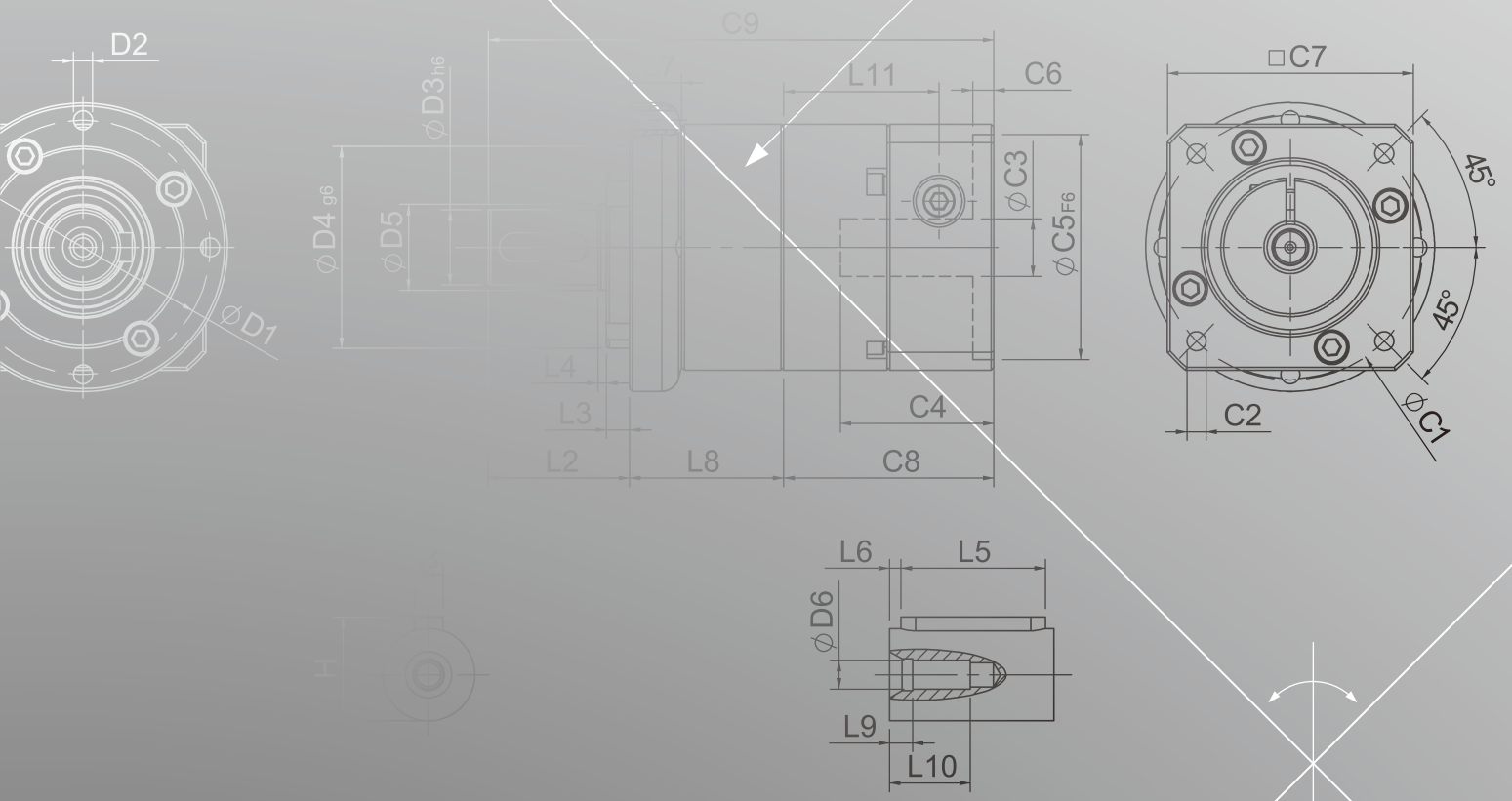
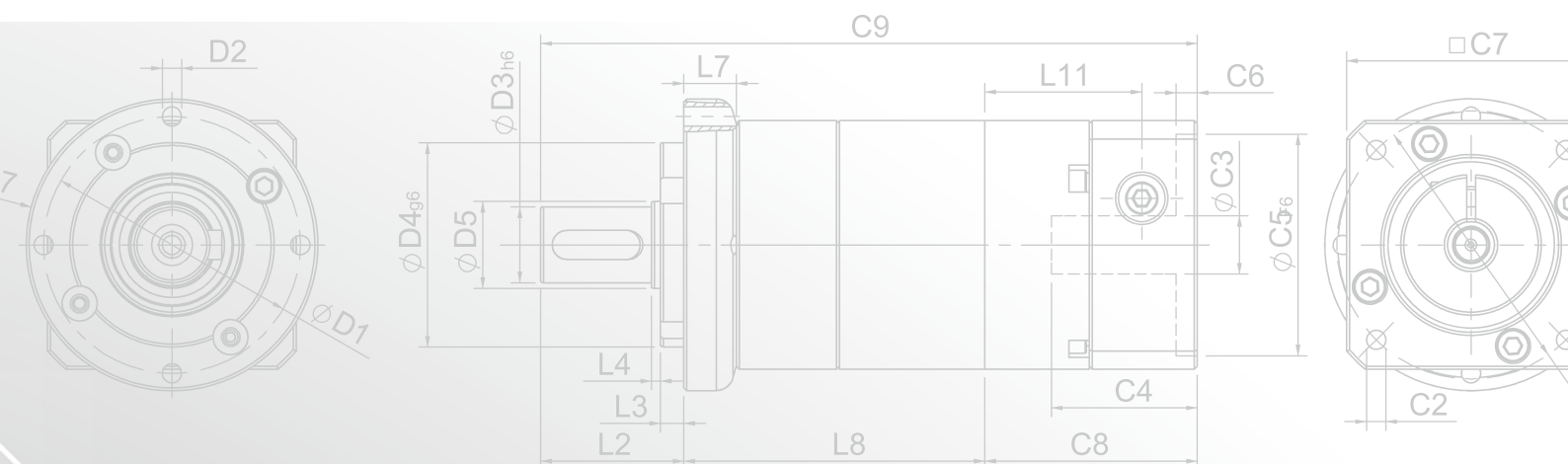
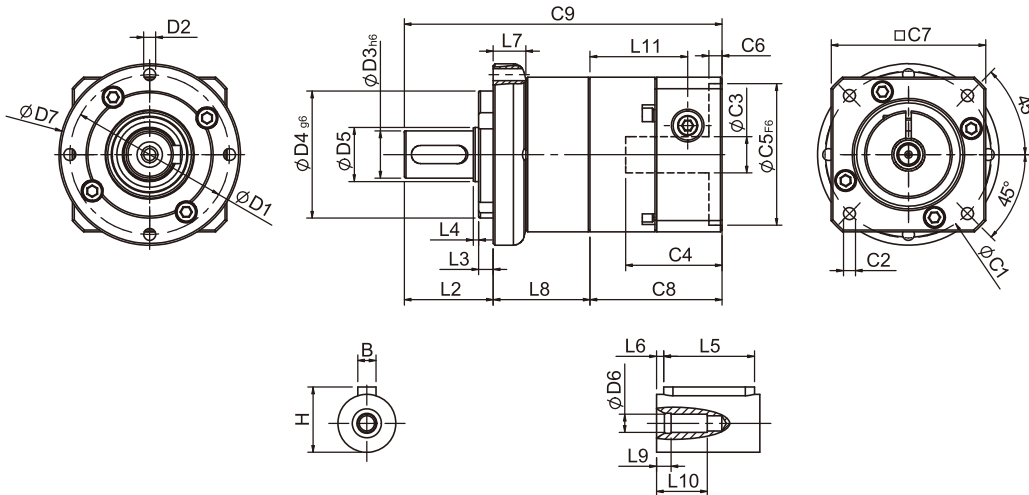


PAC SERIES





PAC Single Stage Dimensions



Specifications

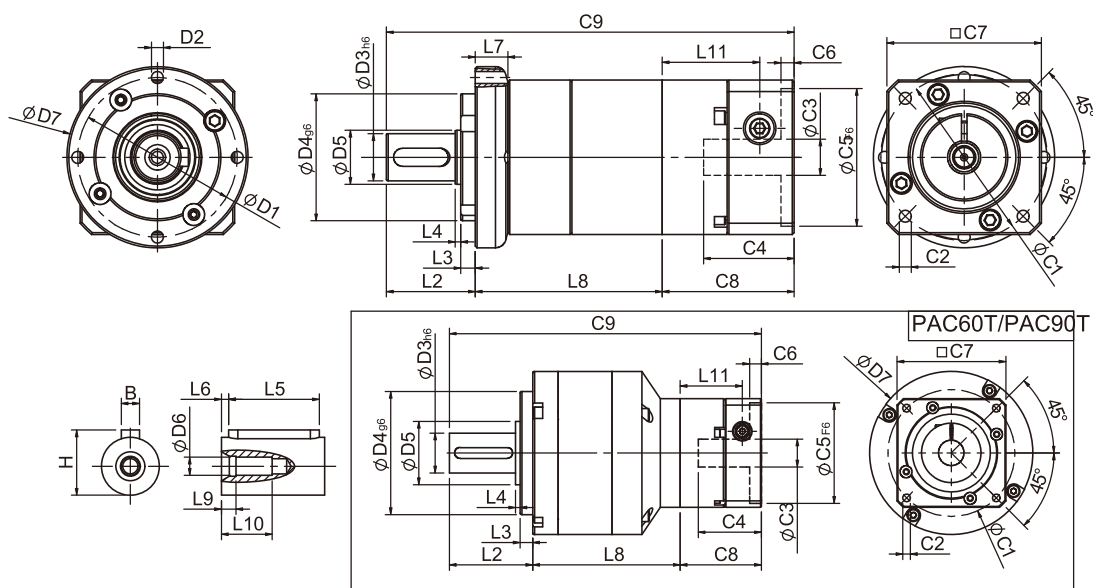
Unit:mm

Dimensions	PAC50	PAC70	PAC90	PAC115
D1	44	62	80	-
D2	M4x0.7P	M5x0.8P	M6x1.0P	-
D3 _{h6}	12	16	22	-
D4 _{g6}	35	52	68	-
D5	15	20	35	-
D6	M4x0.7P	M5x0.8P	M8x1.25P	-
D7	50	70	90	-
L2	24.5	36	46	-
L3	4	6	7	-
L4	1.5	1.5	2.5	-
L5	15	25	32	-
L6	2	2	3	-
L7	9	13.3	14	-
L8	26.7	37.3	43.8	-
L9	4	4	4.5	-
L10	14	16.5	20.5	-
L11	26.9	34.3	41.5	-
C1 ²	46	70	90	-
C2 ²	M4x0.7P	M5x0.8P	M6x1.0P	-
C3 ²	$\leq 8/\leq 11$	$\leq 14/\leq 19$	$\leq 19/\leq 24/\leq 28$	-
C4 ²	26.5	33.5	41	-
C5 ² _{F6}	30	50	70	-
C6 ²	4	4	6	-
C7 ²	42.6	60	90	-
C8 ²	36.4	44.8	55.8	-
C9 ²	87.6	118.1	145.6	-
B	4	5	6	-
H	13.5	18	24.5	-

★ C1~C9 are motor specific dimensions(metric std shown), Size may vary according to motor flange.

★ Specification subject to change without notice.

PAC Double Stage Dimensions



Specifications

Unit:mm

Dimensions	PAC50	PAC70	PAC70T	PAC90	PAC90T	PAC115T
D1	44	62		80		-
D2	M4x0.7P	M5x0.8P		M6x1.0P		-
D3 _{h6}	12	16		22		-
D4 _{g6}	35	52		68		-
D5	15	20		35		-
D6	M4x0.7P	M5x0.8P		M8x1.25P		-
D7	50	70		90		-
L2	24.5	36		46		-
L3	4	6		7		-
L4	1.5	1.5		2.5		-
L5	15	25		32		-
L6	2	2		3		-
L7	9	13.3		14		-
L8	51.6	68	63.6	84.8	81.4	-
L9	4	4		4.5		-
L10	14	16.5		20.5		-
L11	26.9	34.3	26.9	41.5	34.3	-
C1 ²	46	70		90		-
C2 ²	M4x0.7P	M5x0.8P	M4x0.7P	M6x1.0P	M5x0.8P	-
C3 ²	≤8/≤11	≤14/≤19	≤8/≤11	≤19/≤24/≤28	≤14/≤19	-
C4 ²	26.5	33.5	26.5	41	33.5	-
C5 ² _{F6}	30	50	30	70	50	-
C6 ²	4	4	4	6	4	-
C7 ²	42.6	60	42.6	90	60	-
C8 ²	36.4	44.8	36.4	55.8	44.8	-
C9 ²	112.5	148.8	136	186.6	172.2	-
B	4	5		6		-
H	13.5	18		24.5		-

* C1~C9 are motor specific dimensions(metric std shown), Size may vary according to motor flange.

* Specification subject to change without notice.

PAC Specifications Table

Specifications		Stage	Ratio	PAC-50	PAC-70	PAC-90	PAC-120
Nominal Output Torque T_{2N}	N • m	1	3	9	28	85	250
			4	10	32	80	240
			5	11	35	95	270
			7	10	28	85	220
			9	8	23	75	210
		10	8	21	65	190	
		Stage	Ratio	PAC-50	PAC-60/ PAC-60T	PAC-90/ PAC-90T	PAC-120T
		2	15	11	34	90	250
			20	10	32	80	240
			25	11	35	95	270
			35	11	35	95	270
			45	11	35	95	270
			49	10	28	85	220
			63	10	28	85	220
81	8		23	75	210		
100	8	21	65	190			
Emergency Stop Torque T_{2NOT}	N • m		3.0 times of Nominal Output Torque (* Max. Output Torque T_{2B} = 60% of Emergency Stop Torque)				
Nominal Input Speed n_{1N}	rpm	1,2	3-81	4000	4000	3000	2500
Max. Input Speed n_{1max}	rpm	1,2	3-81	8000	6000	6000	5000
Standard Backlash P2	arcmin	1	3-9	≤ 9	≤ 8	≤ 7	≤ 6
		2	15-81	≤ 12	≤ 10	≤ 9	≤ 8
Torsional Rigidity	N • m /arcmin	1,2	3-81	1.5	4	8.5	17
Max. Radial Load F_{2rB}^{-1}	N	1,2	3-81	760	1250	2030	4200
Max. Axial Load F_{2aB}^{-1}	N	1,2	3-81	410	700	1200	2600
Operating Temp.	°C		3-81	-10 °C ~ +90 °C			
Service Life	hr		3-81	20,000 (10,000/Continuous operation)			
Efficiency	%	1	3-9	≥ 95%			
		2	15-81	≥ 90%			
Weight	kg	1	3-9	0.6	1.3	3.2	7.5
		2	15-81	0.8	1.8/1.6	4.8/3.7	9.2
Mounting Position	-	1,2	3-81	Any direction			
Noise Level ²	dBA/1m	1,2	3-81	61	63	66	67
Protection Class	-	1,2	3-81	IP65			
Lubrication	-	1,2	3-81	Synthetic Lubricant			
Inertia(J1)							
Stage	Ratio	unit	PAC-50(ψ8)	PAC-70(ψ14)	PAC-90(ψ19)	PAC-120(ψ24)	
1	3	Kg • cm ²	0.04	0.23	0.77	2.30	
	4		0.03	0.21	0.67	1.92	
	5		0.03	0.21	0.61	1.71	
	7		0.03	0.21	0.60	1.65	
	9		0.03	0.21	0.60	1.63	
	10		0.03	0.21	0.60	1.63	
Stage	Ratio		PAC-50(ψ8)	PAC-70(ψ14)/ PAC-70T(ψ8)	PAC-90(ψ19)/ PAC-90T(ψ14)	PAC-120T (ψ19)	
2	15/20/25		0.03	0.21(0.03)	0.61(0.21)	0.61	
	35/49		0.03	0.21(0.03)	0.60(0.21)	0.60	
	45/63/81/100		0.03	0.21(0.03)	0.60(0.21)	0.60	

* 1. Applied to the output shaft center @100rpm.

* 2. Measured at 3000rpm with no load

※ The above figures/specifications are subject to change without prior notice.

Products due to human error, natural disasters or other factors lead to poor or damaged, will not be covered under warranty.