





LONG LIFE SERIES

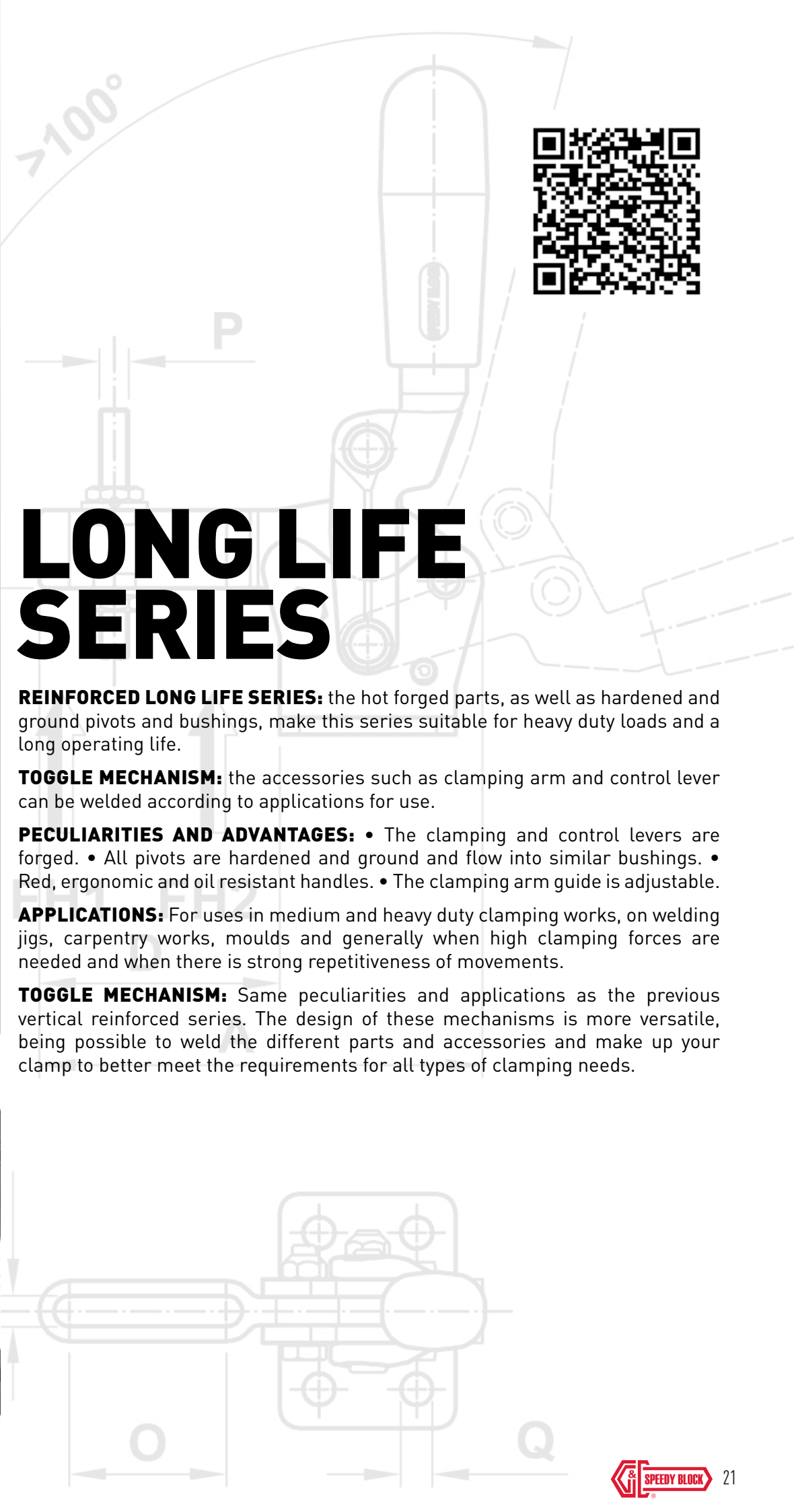
REINFORCED LONG LIFE SERIES: the hot forged parts, as well as hardened and ground pivots and bushings, make this series suitable for heavy duty loads and a long operating life.

TOGGLE MECHANISM: the accessories such as clamping arm and control lever can be welded according to applications for use.

PECULIARITIES AND ADVANTAGES: • The clamping and control levers are forged. • All pivots are hardened and ground and flow into similar bushings. • Red, ergonomic and oil resistant handles. • The clamping arm guide is adjustable.

APPLICATIONS: For uses in medium and heavy duty clamping works, on welding jigs, carpentry works, moulds and generally when high clamping forces are needed and when there is strong repetitiveness of movements.

TOGGLE MECHANISM: Same peculiarities and applications as the previous vertical reinforced series. The design of these mechanisms is more versatile, being possible to weld the different parts and accessories and make up your clamp to better meet the requirements for all types of clamping needs.



REINFORCED VERTICAL SERIES WITH FOLDED BASE

Material:

Phosphated steel.

Pivots:

Hardened and ground steel.

Supporting bushes:

Hardened and ground steel.

Handles:

Red polyurethane resistant to oils, grease and other chemical agents.

Performance:

Form A with open clamping lever and two flanged washers.

Form E with eyelet clamping lever to insert the spindle.

Spindles:

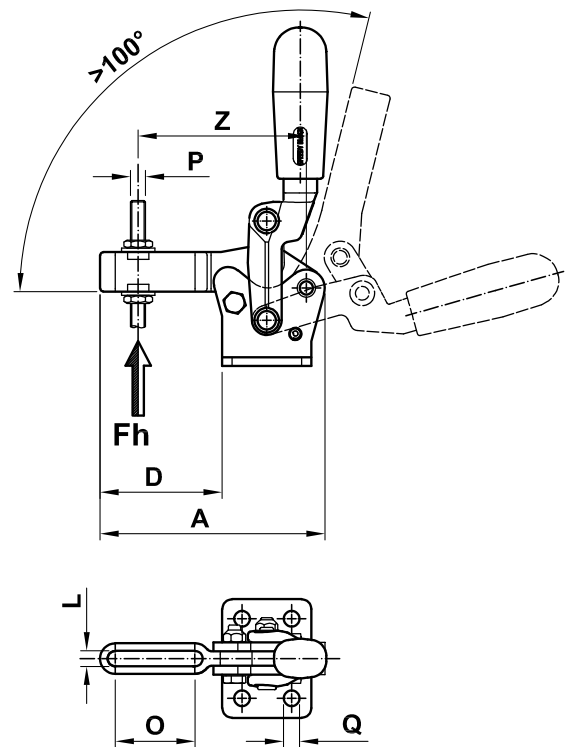
To be ordered separately (see Accessories on page 87).

Features and applications:

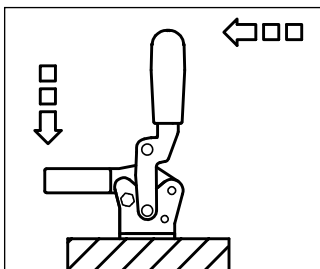
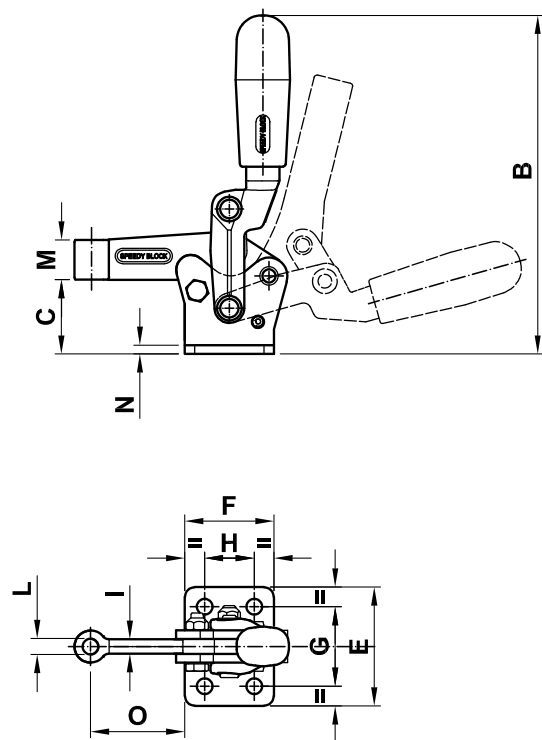
The clamping levers and control levers are forged; the guide of the clamping lever is adjustable.

This series is usually used for medium and heavy duty clamping works, on welding jigs, carpentry works, moulds and generally when high clamping forces are needed and when there is strong repetitiveness of movements.

FORM LLA

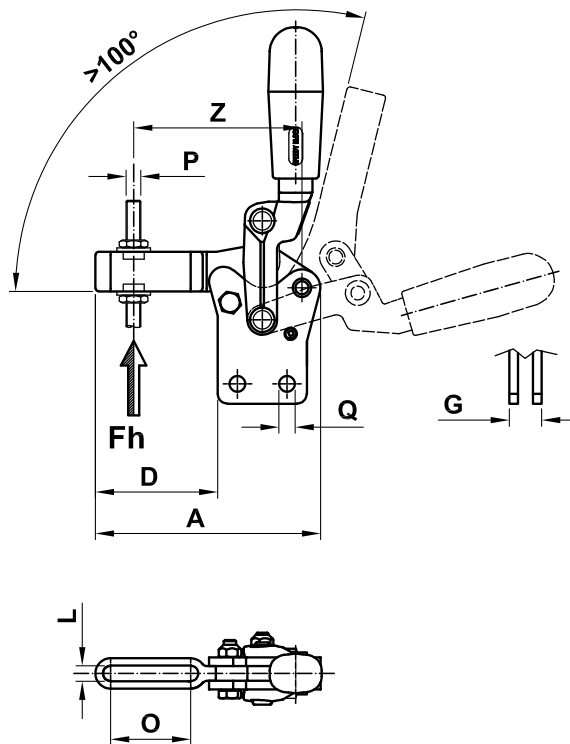


FORM LLE



| Code | Description | A | B | C | D | E | F | G | H | I | L | M | N | O | P | Q | Z | Fh (daN) | gr. |
|-------|-------------|-------|-------|------|----|-----|----|----|----|----|------|----|-----|------|-----|------|-----|----------|------|
| AA600 | LLA01 | 91 | 136,5 | 30 | 49 | 48 | 36 | 32 | 20 | | 6,3 | 16 | 3,5 | 32 | M6 | 6,5 | 77 | 220 | 330 |
| AA610 | LLE01 | 86 | 136,5 | 30 | 44 | 48 | 36 | 32 | 20 | 6 | 6,5 | 16 | 3,5 | 38 | M6 | 6,5 | | 220 | 325 |
| AA630 | LLA02 | 129,5 | 215 | 50 | 64 | 65 | 54 | 45 | 30 | | 10,3 | 24 | 5 | 34 | M10 | 8,5 | 107 | 440 | 1200 |
| AA640 | LLE02 | 129,5 | 215 | 50 | 64 | 65 | 54 | 45 | 30 | 10 | 10,5 | 24 | 5 | 54,5 | M10 | 8,5 | | 440 | 1200 |
| AA660 | LLE03 | 161 | 280 | 67 | 74 | 75 | 75 | 55 | 55 | 12 | 12,5 | 30 | 6 | 62 | M12 | 10,5 | | 850 | 1200 |
| AA680 | LLE04 | 203 | 330 | 76,5 | 96 | 100 | 90 | 65 | 65 | 16 | 16,5 | 35 | 8 | 80 | M16 | 12,5 | | 1540 | 4510 |

FORM LLB



REINFORCED VERTICAL SERIES WITH STRAIGHT BASE

Material:

Phosphated steel.

Pivots:

Hardened and ground steel.

Supporting bushes:

Hardened and ground steel.

Handles:

Red polyurethane resistant to oils, grease and other chemical agents.

Performance:

Form B with open clamping lever and two flanged washers.

Form F with eyelet clamping lever to insert the spindle.

Spindles:

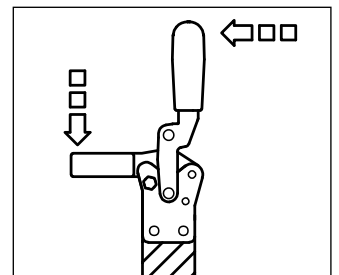
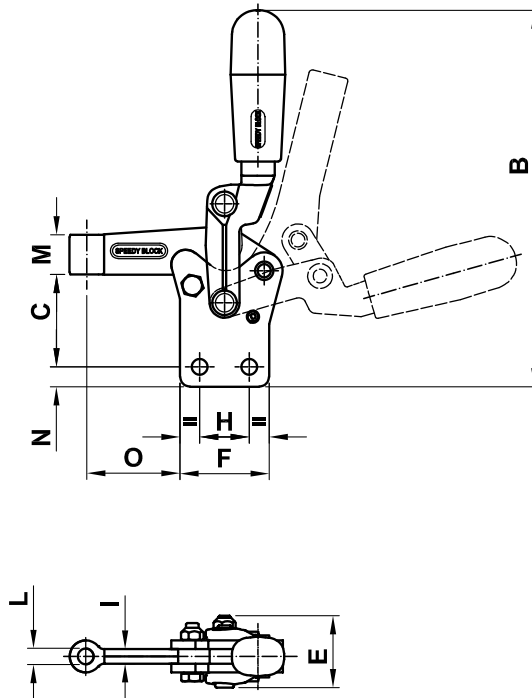
To be ordered separately (see Accessories on page 87).

Features and applications:

The clamping levers and control levers are forged; the guide of the clamping lever is adjustable.

This series is usually used for medium and heavy duty clamping works, on welding jigs, carpentry works, moulds and generally when high clamping forces are needed and when there is strong repetitiveness of movements.

FORM LLF



| Code | Description | A | B | C | D | E | F | G | H | I | L | M | N | O | P | Q | Z | Fh (daN) | gr. |
|-------|-------------|-------|-----|------|----|----|----|----|----|----|------|----|------|------|-----|------|-----|----------|------|
| AA605 | LLB01 | 91 | 152 | 37,5 | 49 | 29 | 36 | 13 | 20 | | 6,3 | 16 | 8 | 32 | M6 | 6,5 | 77 | 220 | 330 |
| AA615 | LLF01 | 86 | 152 | 37,5 | 44 | 29 | 36 | 13 | 20 | 6 | 6,5 | 16 | 8 | 38 | M6 | 6,5 | | 220 | 325 |
| AA635 | LLB02 | 129,5 | 235 | 59,5 | 64 | 42 | 54 | 20 | 30 | | 10,3 | 24 | 10 | 34 | M10 | 8,5 | 107 | 440 | 1200 |
| AA645 | LLF02 | 129,5 | 235 | 59,5 | 64 | 42 | 54 | 20 | 30 | 10 | 10,5 | 24 | 10 | 54,5 | M10 | 8,5 | | 440 | 1200 |
| AA665 | LLF03 | 161 | 301 | 78 | 74 | 52 | 75 | 24 | 55 | 12 | 12,5 | 30 | 10 | 62 | M12 | 10,5 | | 850 | 1200 |
| AA685 | LLF04 | 203 | 330 | 88,5 | 96 | 68 | 90 | 32 | 65 | 16 | 16,5 | 35 | 17,5 | 80 | M16 | 12,5 | | 1540 | 4510 |

TOGGLE MECHANISMS WITH FOLDED BASE AND STRAIGHT BASE

Material:

Phosphated steel.

Pivots: Hardened and ground steel.

Supporting bushes:

Hardened and ground steel.

Accessories:

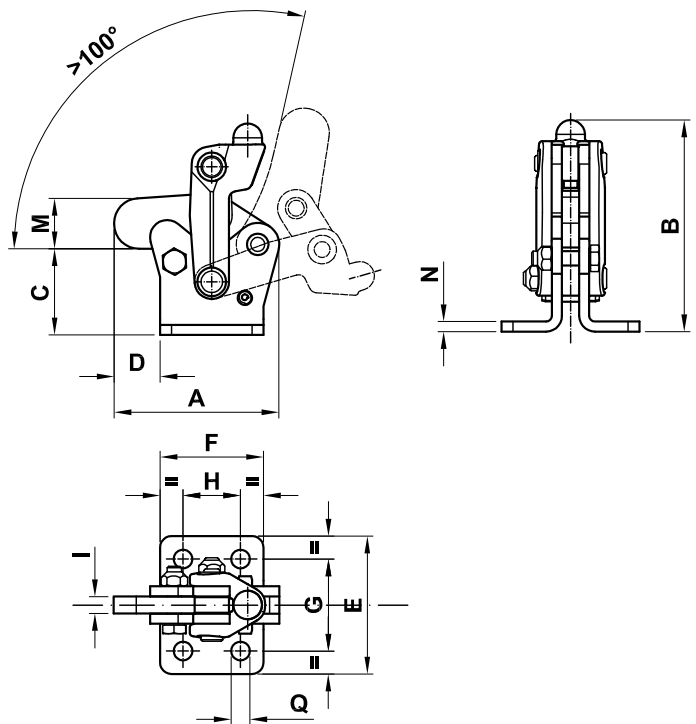
To be ordered separately (see Accessories on page 26).

Features and applications:

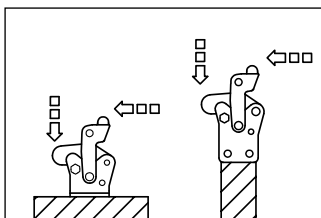
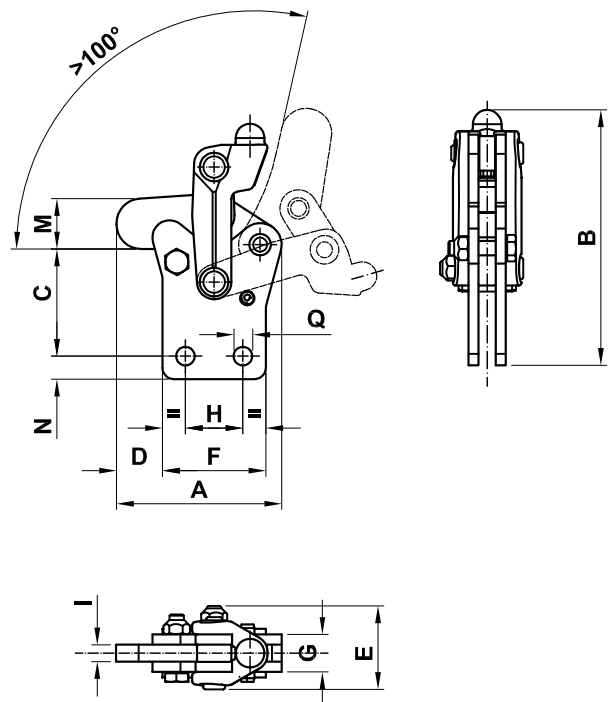
The clamping and control levers are forged; for uses in medium and heavy duty clamping works, on welding jigs, carpentry works, moulds and generally when high clamping forces are needed and when there is strong repetitiveness of movements.

The design of these mechanisms is more versatile, as it is possible to weld the different parts and accessories and make up your clamp to better meet your requirements.

FORM LSC



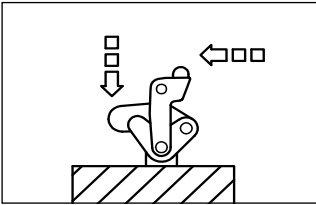
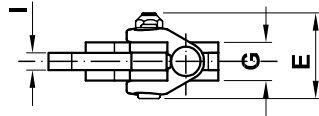
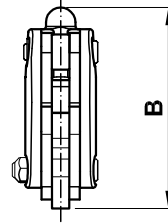
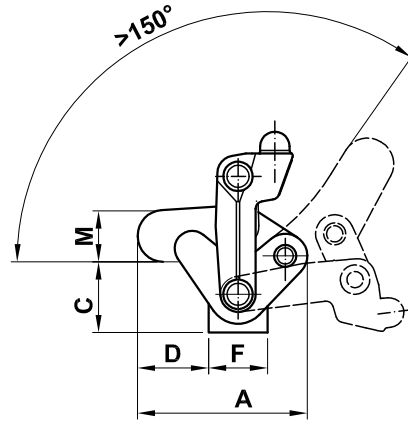
FORM LSG



| Code | Description | A | B | C | D | E | F | G | H | I | M | N | Q | Fh (daN) | gr. ⚖️ |
|-------|-------------|-------|-----|------|------|-----|----|----|----|----|------|-----|------|----------|-----------|
| AA700 | LSC01 | 57,5 | 71 | 30 | 16 | 48 | 36 | 32 | 20 | 6 | 17,5 | 3,5 | 6,5 | 220 | 256 |
| AA725 | LSC02 | 85,5 | 121 | 50 | 20 | 65 | 54 | 45 | 30 | 10 | 28 | 5 | 8,5 | 440 | 967 |
| AA750 | LSC03 | 115 | 158 | 67 | 28 | 75 | 75 | 55 | 55 | 12 | 35 | 6 | 10,5 | 850 | 1900 |
| AA775 | LSC04 | 147,5 | 193 | 76,5 | 40,5 | 100 | 90 | 65 | 65 | 16 | 40,5 | 8 | 12,5 | 1540 | 3980 |

| Code | Description | A | B | C | D | E | F | G | H | I | M | N | Q | Fh (daN) | gr. ⚖️ |
|-------|-------------|-------|-------|------|------|------|----|----|----|----|------|------|------|----------|-----------|
| AA705 | LSG01 | 57,5 | 86 | 37,5 | 16 | 29 | 36 | 13 | 20 | 6 | 17,5 | 8 | 6,5 | 220 | 256 |
| AA730 | LSG02 | 85,5 | 140,5 | 59,5 | 20 | 42,5 | 54 | 20 | 30 | 10 | 28 | 10 | 8,5 | 440 | 967 |
| AA755 | LSG03 | 115 | 180 | 78 | 28 | 52 | 75 | 24 | 55 | 12 | 35 | 10 | 10,5 | 850 | 1900 |
| AA780 | LSG04 | 147,5 | 222 | 88,5 | 40,5 | 68 | 90 | 32 | 65 | 16 | 40,5 | 17,5 | 12,5 | 1540 | 3980 |

FORM LSH



TOGGLE MECHANISM WITH SWINGING BASE

Material:

Phosphated steel.

Pivots: Hardened and ground steel.

Supporting bushes:

Hardened and ground steel.

Accessories:

To be ordered separately (see Accessories on page 26).

Features and applications:

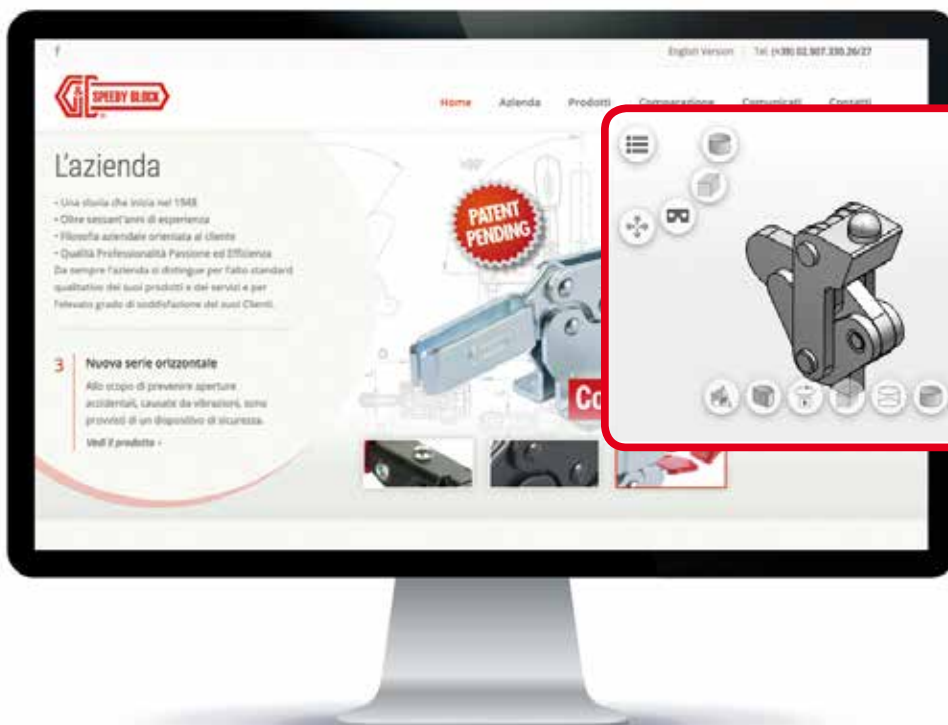
The clamping and control levers are forged; for uses in medium and heavy duty clamping works, on welding jigs, carpentry works, moulds and generally when high clamping forces are needed and when there is strong repetitiveness of movements.

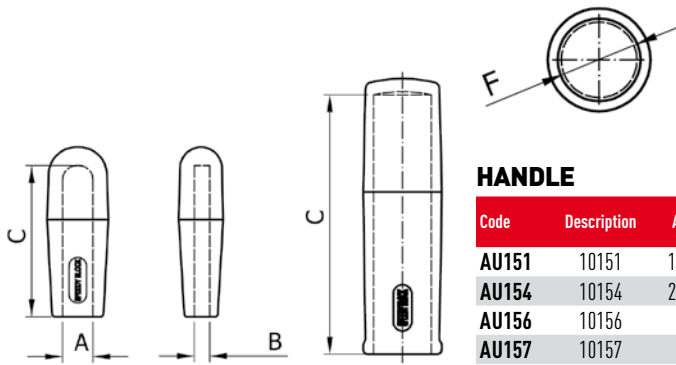
The design of these mechanisms is more versatile, as it is possible to weld the different parts and accessories and make up your clamp to better meet your requirements.

| Code | Description | A | B | C | D | E | F | G | I | M | Fh (daN) | gr. ⚖️ |
|-------|-------------|-------|-----|------|------|----|----|----|----|------|----------|-----------|
| AA710 | LSH01 | 57,5 | 68 | 24 | 24 | 29 | 20 | 13 | 6 | 17,5 | 220 | 268 |
| AA735 | LSH02 | 85,5 | 113 | 42 | 32 | 42 | 30 | 20 | 10 | 28 | 440 | 820 |
| AA760 | LSH03 | 115 | 148 | 57 | 40,5 | 52 | 50 | 24 | 12 | 35 | 850 | 1600 |
| AA785 | LSH04 | 147,5 | 183 | 66,5 | 55,5 | 68 | 60 | 32 | 16 | 40,5 | 1540 | 3450 |

Per avere maggiori informazioni tecniche e scaricare i disegni tecnici in formato 2D-3D visita il sito

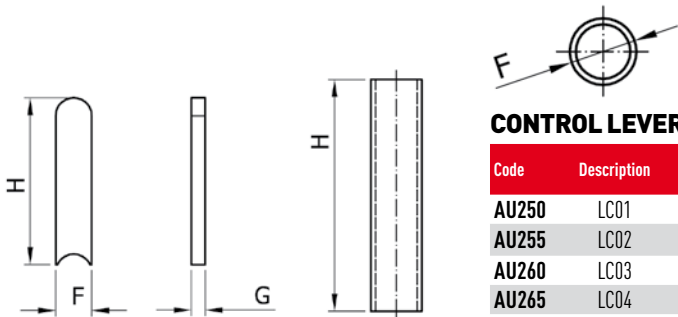
www.speedyblock.com





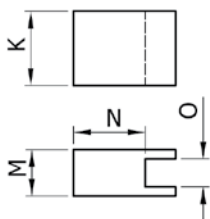
HANDLE

| Code | Description | A | B | C | F | gr. |
|-------|-------------|----|---|-----|----|-----|
| AU151 | 10151 | 13 | 5 | 55 | | 12 |
| AU154 | 10154 | 20 | 8 | 77 | | 34 |
| AU156 | 10156 | | | 112 | 22 | 50 |
| AU157 | 10157 | | | 112 | 25 | 50 |



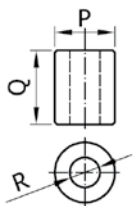
CONTROL LEVER

| Code | Description | F | G | H | gr. |
|-------|-------------|----|---|-----|-----|
| AU250 | LC01 | 13 | 5 | 63 | 31 |
| AU255 | LC02 | 20 | 8 | 90 | 108 |
| AU260 | LC03 | 22 | | 122 | 122 |
| AU265 | LC04 | 25 | | 138 | 175 |



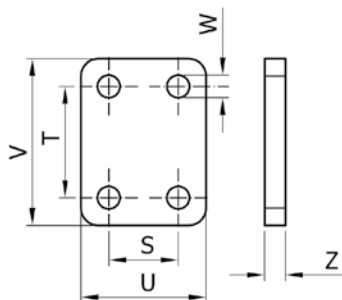
CLAMPING LEVER

| Code | Description | K | M | N | O | gr. |
|-------|-------------|----|----|------|------|------|
| AU230 | LS01 | 16 | 10 | 15,5 | 6 | 23 |
| AU235 | LS02 | 24 | 15 | 24 | 10 | 75,5 |
| AU240 | LS03 | 30 | 20 | 22,1 | 12 | 130 |
| AU245 | LS04 | 35 | 25 | 23,5 | 16,2 | 160 |



SLEEVE

| Code | Description | P | Q | R | gr. |
|-------|-------------|----|----|------|-----|
| AU280 | LM01 | 13 | 16 | 6,5 | 13 |
| AU285 | LM02 | 20 | 24 | 10,5 | 42 |
| AU290 | LM03 | 24 | 30 | 12,5 | 76 |
| AU295 | LM04 | 32 | 35 | 16,5 | 120 |



BASE

| Code | Description | S | T | U | V | W | Z | gr. |
|-------|-------------|----|----|----|-----|------|----|-----|
| AU300 | PB01 | 20 | 32 | 36 | 48 | 6,5 | 6 | 74 |
| AU305 | PB02 | 30 | 45 | 54 | 65 | 8,5 | 8 | 205 |
| AU310 | PB03 | 55 | 55 | 75 | 75 | 10,5 | 10 | 400 |
| AU315 | PB04 | 65 | 65 | 90 | 100 | 12,5 | 10 | 570 |

