



LATCH SERIES

The circular movement of the control lever is transformed into linear movement of the rod. This series is mostly used to fasten hinged lids and for containers. Available with forces from 160 to 1000 daN, and in the heavy-duty series from 1700 to 4000 daN. The push bars can be adjusted within the stroke (height D). The main features of the different models are:

FOR T - TF - TL - TFL - T2 MODELS: • Support base parallel to the force line of action. • In the closed position, the control lever is parallel to the support base.

FOR T3 MODELS: • Support base perpendicular to the force line of action. • In the closed position, the control lever is parallel to the support base.

FOR T4 MODELS: • Support base perpendicular to the force line of action. • In the closed position, the control lever is perpendicular to the support base.

FOR T5 - T6 MODELS: • If the tool is used on machines or in applications with strong stress or vibrations, (in which an accidental and undesired opening is likely), it is necessary to ensure a secure grip by means of a latch.

FOR E MODELS: • The ET and EG models allow safe clamping in mainly static uses, while the ETL and EGL models can operate even in the presence of strong vibrations thanks to the safety lever against accidental opening.

T - TF ROD SERIES (LIGHT PERFORMANCE)

Material:

Zinc coated plates

Riveted pivots and rod:

Galvanized steel

Handles:

Red polyurethane resistant to oils, grease and other chemical agents.

Performance:

Form T is supplied with a pivot for traction;

Form TF is supplied with a coupling hook for traction

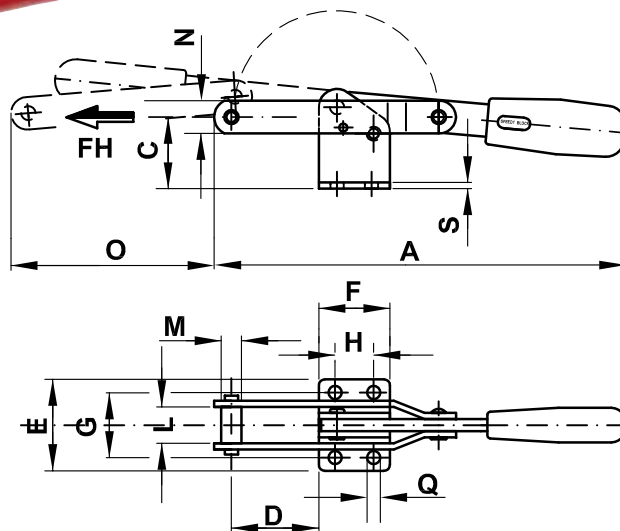
Features and applications:

The tools of this series ensure a perfect closing of lids.

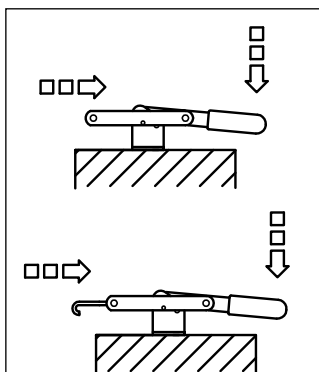
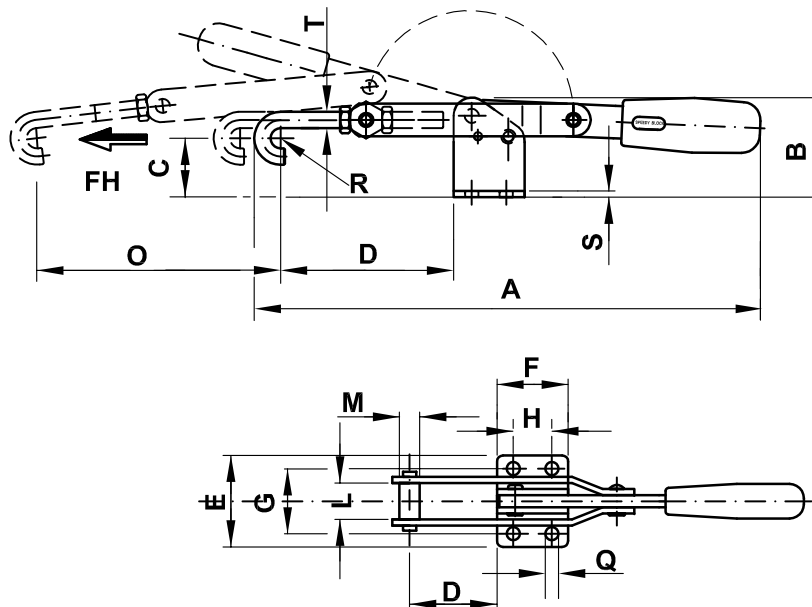
The position of the threaded rod can be adjusted within a certain range (see dimension "D") to meet the requirements of use.

A special grease is placed between two contacting surfaces during assembly.

FORM T



FORM TF

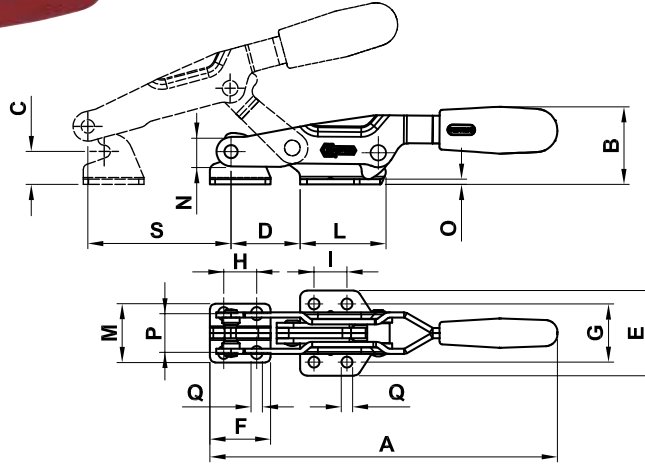


Code	Description	A	B	C	D	E	F	G	H	L	M	N	O	Q	R	S	T	Fh (daN)	gr.
AL200	200/T	203	49	36	43	45	35	32	19	18	10	16	100	6,5	3			200	300
AL205	200/TF	251	49	29	85÷105	45	35	32	19	18		16	100	6,5	5	3	M8	200	380
AL300	300/T	225	49	36	43	60	48	45	32	21	10	18	100	8,5	3			300	460
AL305	300/TF	277	49	25	90÷115	60	48	45	32	21		18	100	8,5	6	3	M10	300	560
AL400	400/T	275	60,5	43	45,5	84	54	60,5	28,5	26	14	25	160	10,5		5		400	1000
AL405	400/TF	339	60,5	30	107÷129	84	54	60,5	28,5	26		25	160	10,5	7	5	M12	400	1200

FORM T



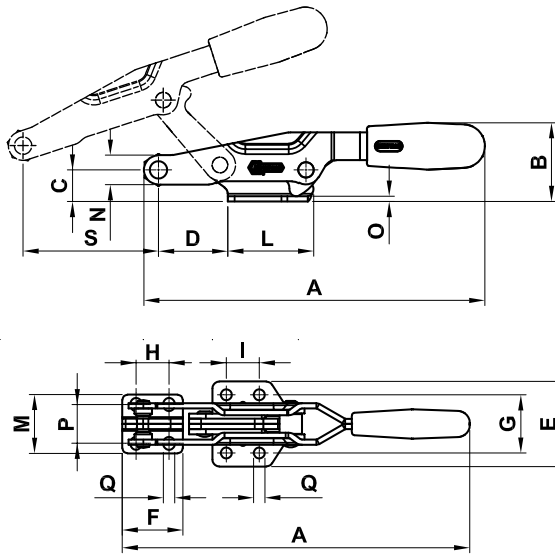
PATENTED



FORM TF



PATENTED



T - TF ROD SERIES (LIGHT PERFORMANCE)

The sizes of this series are also produced in stainless steel and are shown below in red.

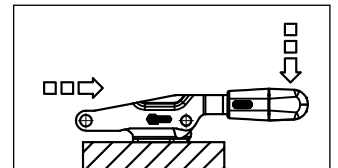
Material:
Galvanized sheet metal or **AISI 304 stainless steel**

Riveted pivots and rod:
Galvanized steel or **AISI 304 stainless steel**

Handles:
Red polyurethane resistant to oils, grease and other chemical agents.

Performance:
Form T and **form TX** is supplied with a pivot for traction and a hooking bracket;
Form TF and **form TFX** it is possible to choose from three different optional rods (to be ordered separately): Eye bolt rod "TG", T-shaped rod "TT", Hook Rod "U" (See page 49).

Features and applications:
The tools of this series ensure a perfect closing of lids.
The position of the threaded rod can be adjusted within a certain range (see drawing) to meet the requirements of use.
A special grease is placed between two contacting surfaces during assembly.



Code	Description	Stainless steel Code	Description	A	B	C	D	E	F	G	H	I	L	M	N	O	P	Q	S	Fh (daN)	gr. \triangle
AL410	33/T	AS430	33/TX	200	45	19	40	49	35	33,5	19	19	50	34	17	3	22,3	6,5	83	500	422
AL415	33/TF	AS432	33/TFX	197	45	19	40	49		33,5		19	50		17	3		6,5	83	500	394
AL420	43/T	AS436	43/TX	248	56	28	51	63	50	45	31	32	61	41	20	4	25,4	8,5	110	1000	811
AL425	43/TF	AS438	43/TFX	242	56	28	51	63		45		32	61		20	4		8,5	90	1000	696

TL - TFL ROD SERIES WITH SAFETY LEVER (LIGHT PERFORMANCE)

The sizes of this series are also produced in stainless steel and are shown below in red.

Material:

Galvanized sheet metal or **AISI 304 stainless steel**

Riveted pivots and rod:

Galvanized steel or **AISI 304 stainless steel**

Handles:

Red polyurethane resistant to oils, grease and other chemical agents.

Performance:

Form TL and **form TLX** is supplied with a pivot for traction and a hooking bracket;

Form TFL and **form TFLX** it is possible to choose from three different optional rods (to be ordered separately):

Eye bolt rod "TG", T-shaped rod "TT", Hook Rod "U" (see Page 47).

Features and applications:

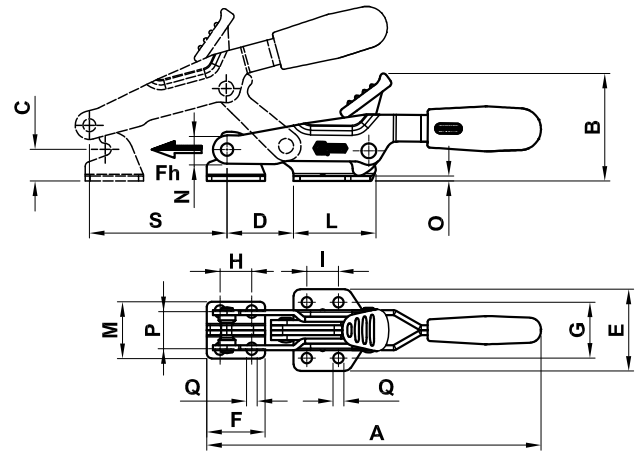
The tools of this series ensure a perfect closing of lids.

The position of the threaded rod can be adjusted within a certain range (see drawing) to meet the requirements of use.

FORM TL



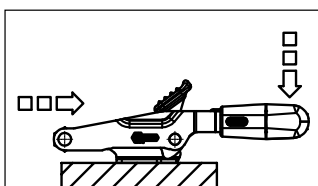
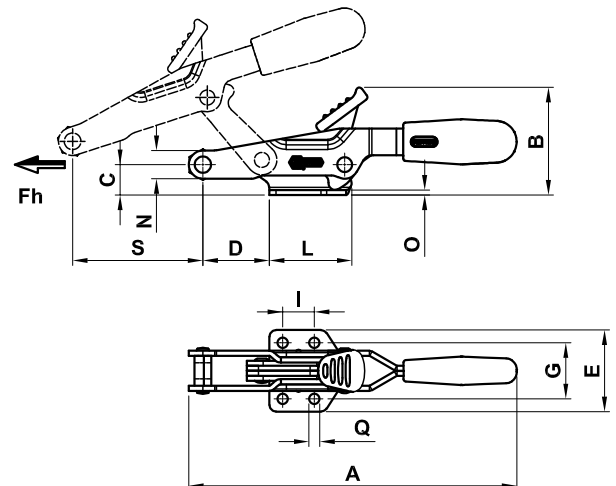
PATENTED



FORM TFL



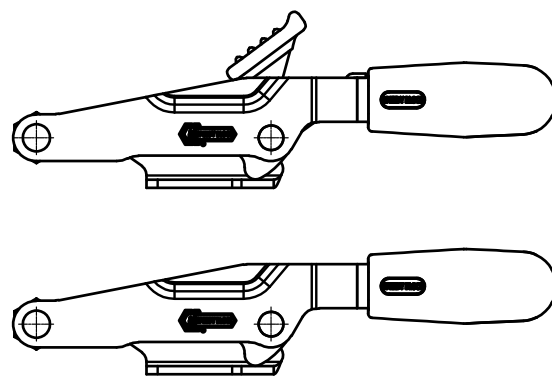
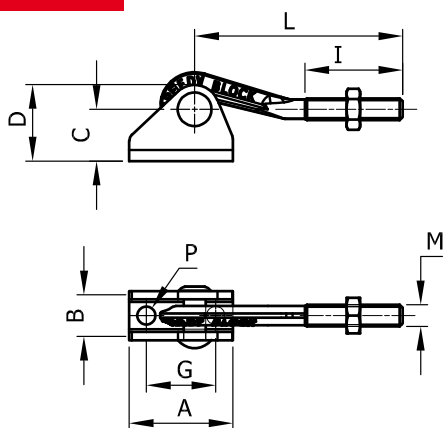
PATENTED



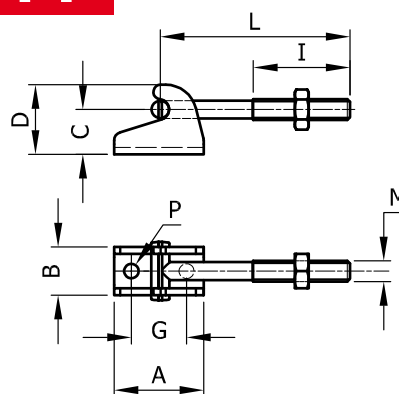
Code	Description	Stainless steel Code	Description	A	B	C	D	E	F	G	H	I	L	M	N	O	P	Q	S	Fh (daN)	gr.
AL430	33/TL	AS440	33/TLX	200	65	19	40	49	35	33,5	19	19	50	34	17	3	22,3	6,5	83	500	441
AL435	33/TFL	AS442	33/TFLX	197	65	19	40	49		33,5		19	50		17	3		6,5	83	500	413
AL440	43/TL	AS444	43/TLX	248	74	28	51	63	50	45	31	32	61	41	20	4	25,4	8,5	90	1000	834
AL445	43/TFL	AS446	43/TFLX	242	74	28	51	63		45		32	61		20	4		8,5	90	1000	719



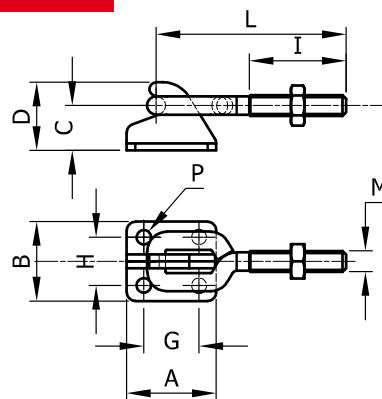
TU Hook rod



TT T-shaped rod



TG Eye bolt rod



Code	Description	Stainless steel Code	Description	A	B	C	D	G	H	I	L	M	P
AU544	33/TG	AU556	33/TGX	35	34	19	30	19	22,3	34	76,5	M8	6,7
AU546	43/TG	AU558	43/TGX	50	41	28	40,5	31	25,4	42	95,5	M10	8,5
Code	Description	Stainless steel Code	Description	A	B	C	D	G	I	L	M	P	
AU548	33/TU	AU560	33/TUX	38	18	19	28	25,4	34	76,5	M8	6,7	
AU550	43/TU	AU562	43/TUX	50	26	28	39	31	43	93	M10	8,5	
Code	Description	Stainless steel Code	Description	A	B	C	D	G	I	L	M	P	
AU552	33/TT	AU564	33/TTX	35	18	19	30	19	34	76,5	M8	6,7	
AU554	43/TT	AU566	43/TTX	50	26	28	40,5	31	43	93	M10	8,5	

DOUBLE ROD SERIES (LIGHT PERFORMANCE).

The sizes of this series are also produced in stainless steel and are shown below in red.

Material:

Galvanized steel or

AISI 304 stainless steel

Riveted pivots and rod:

Galvanized steel or **AISI 304 stainless steel**

Swinging pivot:

Galvanized steel or **AISI 303 stainless steel**

Handles:

Red polyurethane resistant to oils, grease and other chemical agents.

Performance:

The tool comes with a double bar with hooking bracket and nuts.

In addition to the standard length of the U rods, a variety of other lengths are given on page 57.

Therefore, when ordering, indicate:

T2 or T2X = Tool with Standard Double Threaded Rod and hooking bracket

T20 or T20X = Tool without double Threaded rod, which is to be ordered separately (see page 57)

Features and applications:

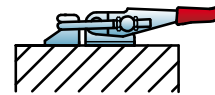
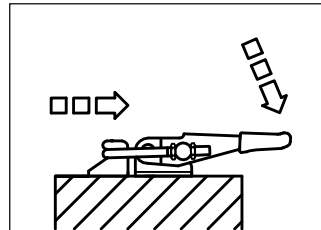
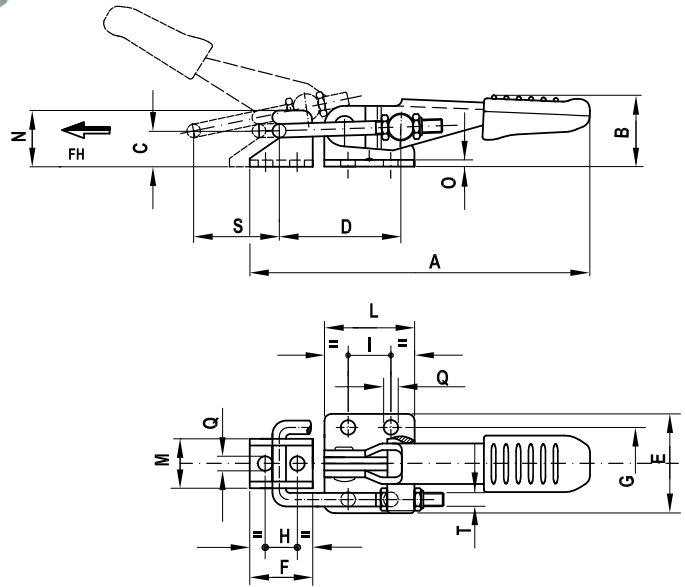
The tools of this series ensure a perfect closing of lids.

The support base is perpendicular to the force line of action.

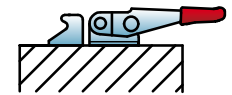
In the closed position, the control lever is parallel to the support base.

A special grease is placed between two contacting surfaces during assembly.

FORM T2



T2-T2X

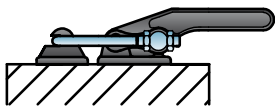
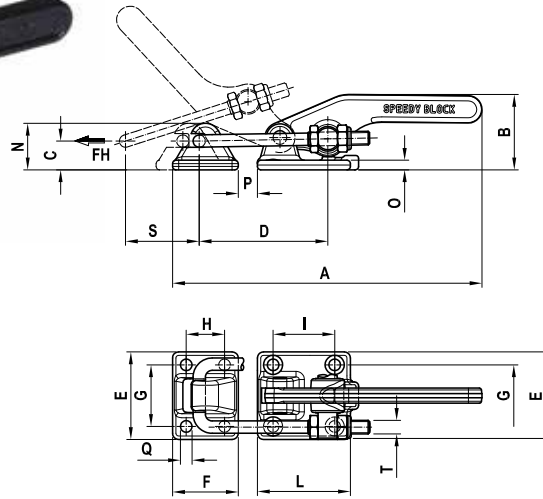


T20-T20X

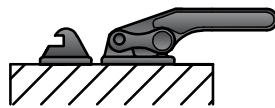
Code	Description	Stainless steel Code	Description	A	B	C	D	E	F	G	H	I	L	M	N	O	Q	S	T	Fh (daN)	gr.
AL500	160/T2	AS500	160/T2X	98	25	12	35÷44	28	20	19	10	16	26	14	18	2	4,3	25	M4	160	85
AL505	320/T2	AS505	320/T2X	152	30	16	54÷63	44	28	32	14,3	19	40	22	25	3	6,5	48	M6	320	250
AL510	700/T2	AS510	700/T2X	220	42	24	70÷90	54	38	38	19	41,5	60	26	36	3,5	8,5	58	M8	750	600



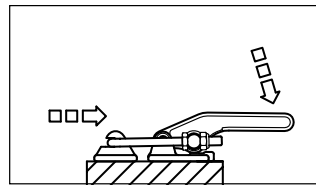
FORM T2



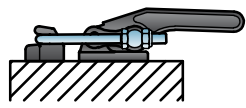
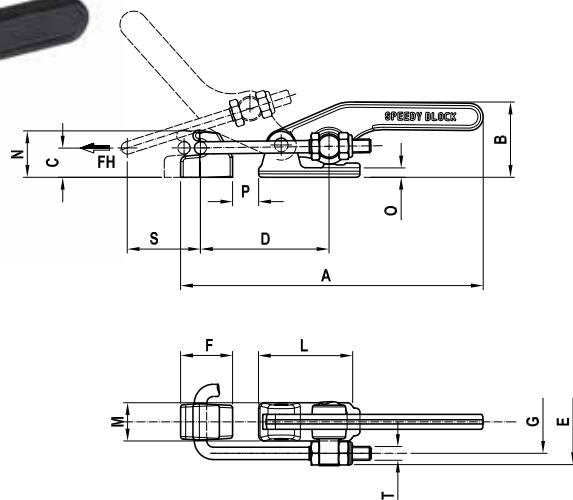
T2-T2X



T20-T20X



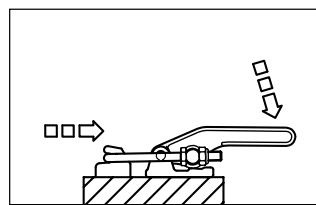
FORM T2S



T2S-T2SX



T2S0-T2S0X



DOUBLE AND WELDABLE DOUBLE ROD SERIES (HEAVY PERFORMANCE)

The sizes of this series are also produced in stainless steel and are shown below in red.

Material:

Hot-stamped, weldable, black varnished steel or **hot-stamped AISI 304 stainless steel**.

Pivot:

Hardened, ground and knurled steel to prevent rotation.

Bar, swinging pivot and nuts:

Galvanized steel or **AISI 303 stainless steel**

Performance:

Form T2 Hot-stamped black varnished steel or **hot-stamped AISI 304 stainless steel**

Form T2S Hot-stamped and phosphated stainless steel or **hot-stamped AISI 304 stainless steel**

The tool comes with a double bar with hooking bracket and nuts.

In addition to the standard length of the U rods, a variety of other lengths are given on page 57.

Therefore, when ordering, indicate:

T2-T2S or T2X-T2SX == Tool with Standard Double Threaded Rod and hooking bracket

T20-T2S0 or T20X-T2S0X == Tool without double Threaded rod, which is to be ordered separately (see page 57)

Features and applications:

The tools of this series ensure a good closure of lids. The construction features and the materials chosen give these tools high resistance qualities.

The support base is perpendicular to the force line of action.

In the closed position, the control lever is parallel to the support base.

A special grease is placed between two contacting surfaces during assembly.

Code	Description	Stainless steel Code	Description	A	B	C	D	E	F	G	H	I	L	N	O	P	Q	S	T	Fh (daN)	FhX (daN)	gr.
AL518	1700/T2	AS518	1700/T2X	226	55	21	94-106	64	48	45	28	45	68	34	7	14	8,5	54-58	M10	1700	1400	1085
AL522	4000/T2	AS522	4000/T2X	282	68	27	112-124	80	60	57	35	57	85	42	9	14	10,5	62-65	M12	4000	3000	2070

Code	Description	Stainless steel Code	Description	A	B	C	D	E	F	G	L	M	N	O	P	S	T	Fh (daN)	FhX (daN)	gr.
AL520	1700/T2S	AS520	1700/T2SX	221	55	21	94-106	64	38	46	68	26,5	34,5	7	19	54-58	M10	1700	1400	1085
AL524	4000/T2S	AS524	4000/T2SX	277	68	27	102-124	80	50	55	85	32	43	9	19	62-65	M12	4000	3000	2070

DOUBLE ROD WITH SAFETY LEVER SERIES (LIGHT PERFORMANCE)

The sizes of this series are also produced in **Stainless Steel 316** and are shown below in red.

Material:

Galvanized steel or **AISI 316 stainless steel**

Rivets and rods:

Galvanized steel or **AISI 316 stainless steel**

Swinging pivot:

Galvanized steel or **AISI 316 stainless steel**

Handles:

Red polyurethane resistant to oils, grease and other chemical agents.

Performance:

The tool comes with a double bar with hooking bracket and nuts.

In addition to the standard length of the U rods, a variety of other lengths are given on page 57.

T6 or T16 = Tool with Standard Double Threaded Rod and hooking bracket

T60 or T160X = Tool without double Threaded rod, which is to be ordered separately (see page 57)

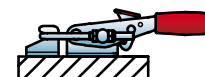
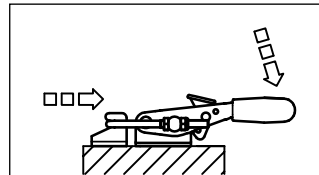
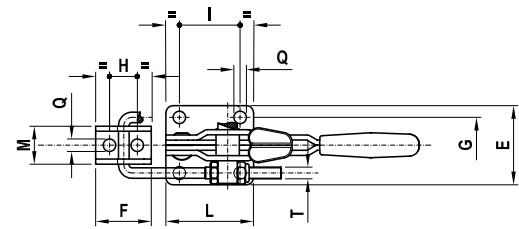
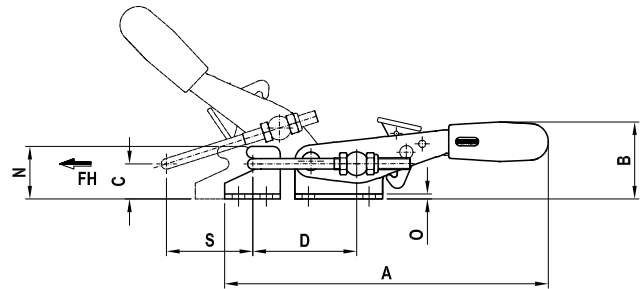
Features and applications:

The main feature of this series is the special safety lever with the purpose of preventing any accidental openings caused by vibrations. The tools of this series ensure a perfect closing of lids. The support base is perpendicular to the force line of action. In the closed position, the control lever is parallel to the support base. A special grease is placed between two contacting surfaces during assembly.

FORM T6



PATENTED



T6-T16



T60-T160

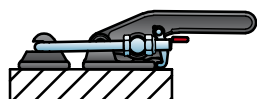
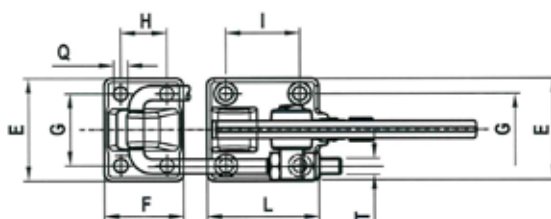
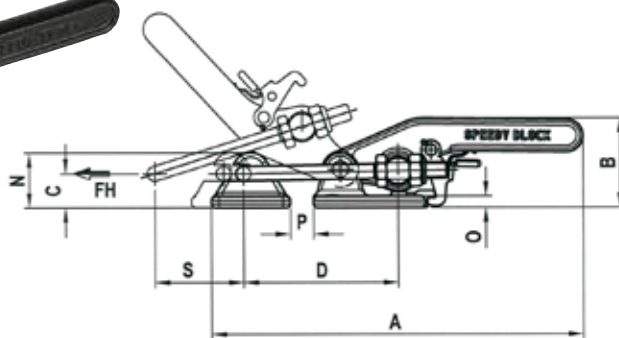
Code	Description	Stainless steel Code	Description	A	B	C	D	E	F	G	H	I	L	M	N	O	Q	S	T	Fh (daN)	gr.	gr. inox
AL780	160/T6	AS600	160/T16	101	31	12	35÷44	28	20	19	10	16	26	14	18	2	4,3	18÷24	M4	160	92	95
AL785	320/T6	AS605	320/T16	169	45	16	54÷63	44	28	32	14,3	19	40	22	25	3	6,5	26÷34	M6	320	307	331
AL790	700/T6	AS610	700/T16	221	56	24	70÷90	54	38	38	19	41,5	60	26	36	3,5	8,5	40÷50	M8	750	627	644



FORM T6



PATENTED

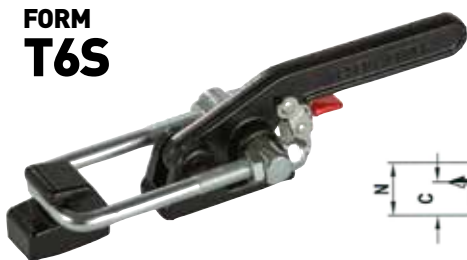


T6-T6X

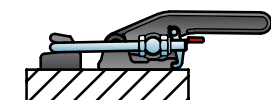
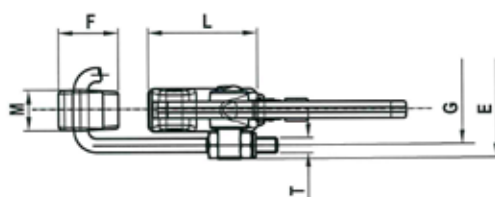
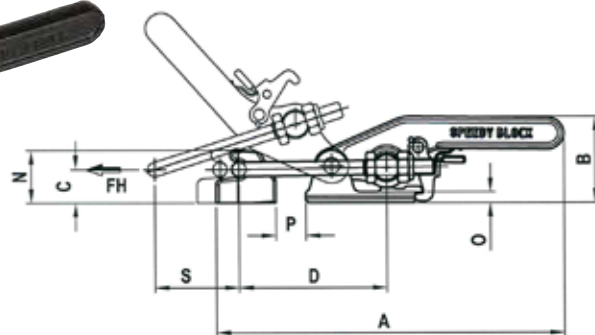


T60-T60X

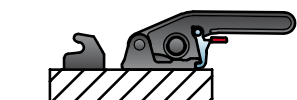
FORM T6S



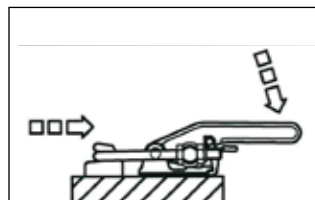
PATENTED



T6S-T6SX



T6S0-T6S0X



DOUBLE AND WELDABLE DOUBLE ROD WITH SAFETY LEVER SERIES (HEAVY PERFORMANCE)

The sizes of this series are also produced in stainless steel and are shown below in red.

Material:

Hot stamped, weldable, black varnished steel or hot stamped **AISI 304** stainless steel.

Pivot:

Hardened, ground and knurled steel to prevent rotation.

Bar, swinging pivot and nuts:

Galvanized steel or **AISI 303 stainless steel**

Performance:

Form T6 hot stamped, black varnished steel or hot stamped **AISI 304** stainless steel.

Form T6S hot stamped, and phosphated steel or hot stamped **AISI 304** stainless steel.

The tool comes with a double bar with hooking bracket and nuts.

In addition to the standard length of the U rods, a variety of other lengths are given on page 57.

Therefore, when ordering, indicate:

T6-T6S or T6X-T6SX = Tool with Standard Double Threaded Rod and hooking bracket

T60-T6S0 or T60X-T6S0X = Tool without double Threaded rod, which is to be ordered separately (see page 57).

Features and applications:

The tools of this series ensure a perfect closing of lids.

The construction features and materials chosen make these tools highly resistant.

The support base is perpendicular to the force line of action.

In the closed position, the control lever is parallel to the support base.

A special grease is placed between two contacting surfaces during assembly.

Code	Description	Stainless steel Code	Description	A	B	C	D	E	F	G	H	I	L	N	O	P	Q	S	T	Fh (daN)	FhX (daN)	gr.
AL795	1700/T6	AS615	1700/T6X	226	55	21	94÷106	64	48	45	28	45	68	34	7	14	8,5	54÷58	M10	1700	1400	1110
AL800	4000/T6	AS620	4000/T6X	282	68	27	112÷124	80	60	57	35	57	85	42	9	14	10,5	62÷65	M12	4000	3000	2100

Code	Description	Stainless steel Code	Description	A	B	C	D	E	F	G	L	M	N	O	P	S	T	Fh (daN)	FhX (daN)	gr.
AL805	1700/T6S	AS625	1700/T6SX	221	55	21	94÷106	64	38	46	68	26,5	34,5	7	19	54÷58	M10	1700	1400	1110
AL810	4000/T6S	AS630	4000/T6SX	277	68	27	112÷124	80	50	55	85	32	43	9	19	62÷65	M12	4000	3000	2100

DOUBLE ROD SERIES (LIGHT PERFORMANCE)

The sizes of this series are also produced in stainless steel and are shown below in red.

Material:

Galvanized steel or **AISI 304 stainless steel**

Riveted pivots and rod: Galvanized steel or **AISI 304 stainless steel**

Swinging pivot:

Galvanized steel or **AISI 303 stainless steel**

Handles:

Red polyurethane resistant to oils, grease and other chemical agents.

Performance:

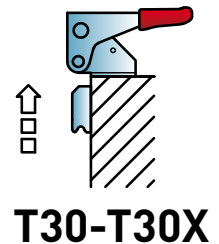
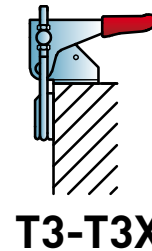
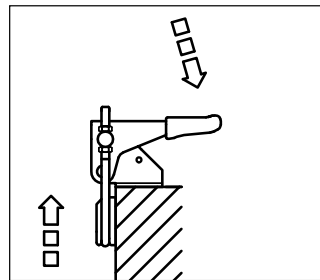
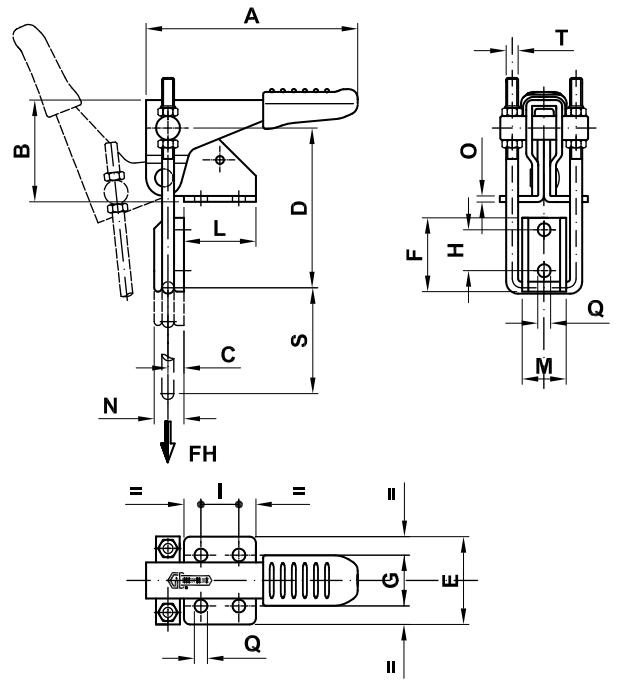
the tool comes with a double bar with hooking bracket and nuts.

In addition to the standard length of the U rods, a variety of other lengths are given on page 57. Therefore, when ordering, indicate: **T3 or T3X** = Tool with Standard Double Threaded Rod and hooking bracket
T30 or T30X = Tool without double Threaded rod, which is to be ordered separately (see page 57)

Features and applications:

The tools of this series ensure a perfect closing of lids. The support base is perpendicular to the force line of action. In the closed position, the control lever is parallel to the support base. A special grease is placed between two contacting surfaces during assembly.

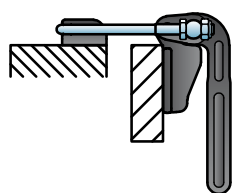
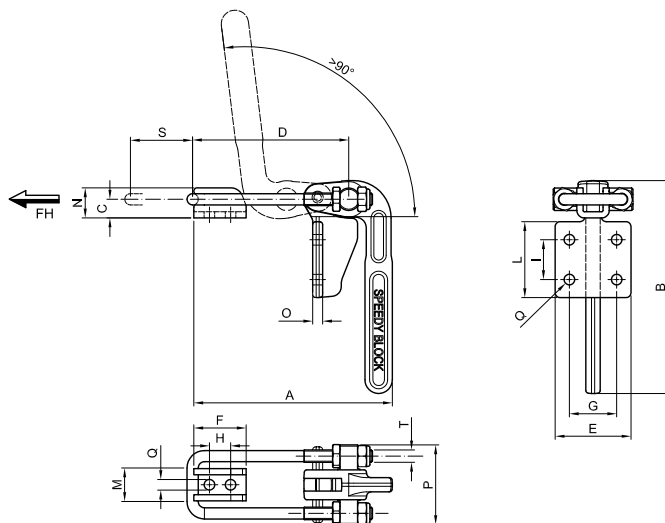
FORM T3



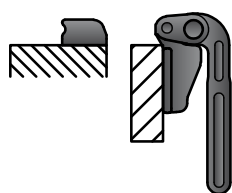
Code	Description	Stainless steel Code	Description	A	B	C	D	E	F	G	H	I	L	M	N	O	Q	S	T	Fh (daN)	gr.
AL530	160/T3	AS530	160/T3X	68	37	5	49,5÷58	35	25,5	22	14,3	13	26	14	10	2	4,3	22÷29	M4	160	100
AL535	320/T3	AS535	320/T3X	106	53	8	75÷95	44	37	25,5	20,5	19	36	22	15	3	6,5	39÷49	M6	320	320
AL540	700/T3	AS540	700/T3X	147	66	13	98÷122	54	48,5	36,5	27	32	52	26	23	3,5	8,5	50÷62	M8	750	680



FORM T3



T3



T30

DOUBLE AND WELDABLE DOUBLE ROD SERIES (HEAVY PERFORMANCE)

Material:

Hot-stamped, weldable, black varnished steel.

Pivot: Hardened, ground and knurled steel to prevent rotation.

Bar, swinging pivot and nuts: Galvanized steel.

Performance:

Form T3 Hot-stamped, black varnished steel.

Form T3S Hot-stamped and phosphated steel

The tool comes with a double bar with hooking bracket and nuts.

In addition to the standard length of the U rods, a variety of other lengths are given on page 57.

Therefore, when ordering, indicate:

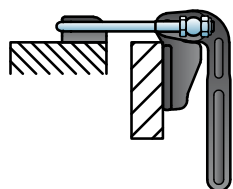
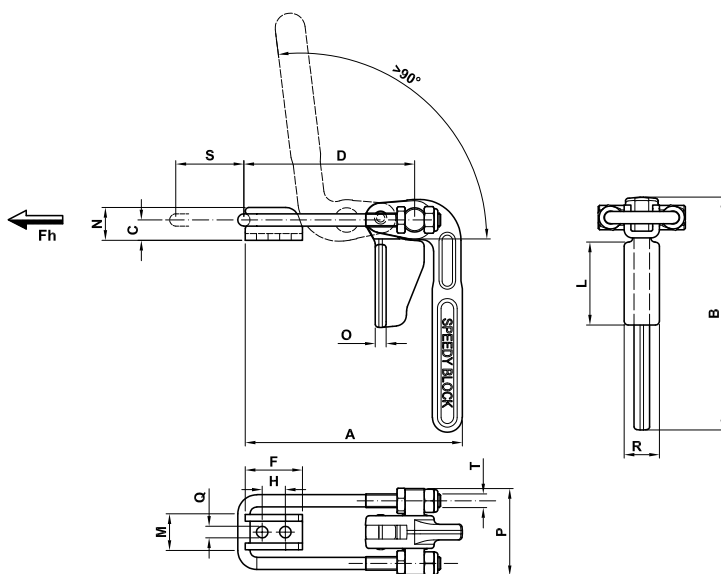
T3-T3S = Tool with Standard Double Threaded Rod and hooking bracket

T30-T3S0 = Tool without double Threaded rod, **which is to be ordered separately** (see page 57)

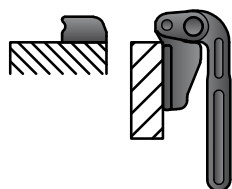
Features and applications:

The tools of this series ensure a perfect closing of lids. The construction features and materials chosen make these tools highly resistant. The support base is perpendicular to the force line of action. In the closed position, the control lever is parallel to the support base.

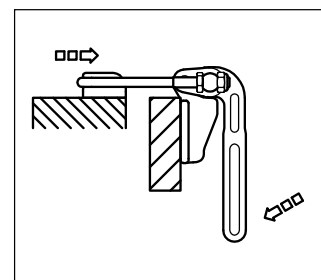
FORM T3S



T3S



T3S0



Code	Description	A	B	C	D	E	F	G	H	I	L	M	N	O	P	Q	S	T	Fh (daN)	gr.
AL550	1400/T3	159,5	171	15	104,5÷125,5	61	42	38	17	32	61	26	24	8	64	8,5	50	M10	1200	1235

Code	Description	A	B	C	D	F	H	L	M	N	O	P	Q	R	S	T	Fh (daN)	gr.
AL552	1400/T3S	159,5	171	15	104,5÷125,5	42	17	61	26	24	8	64	8,5	26	50	M10	1200	1115

DOUBLE ROD SERIES (LIGHT PERFORMANCE)

Material:

Galvanized steel

Riveted pivots and rod:

Galvanized steel

Swinging pivot:

Galvanized steel

Handles:

Red polyurethane resistant to oils, grease and other chemical agents.

Performance:

The tool comes with a double bar with hooking bracket and nuts.

In addition to the standard length of the U rods, a variety of other lengths are given on page 57.

Therefore, when ordering, indicate:

T4 = Tool with Standard Double Threaded Rod and hooking bracket

T40 = Tool without double Threaded rod, **which is to be ordered separately** (see page 57)

Features and applications:

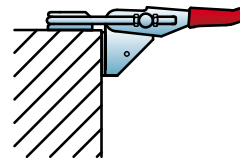
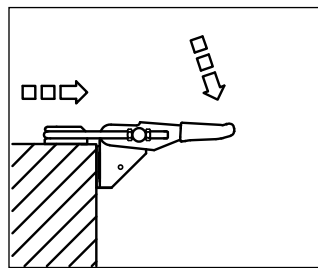
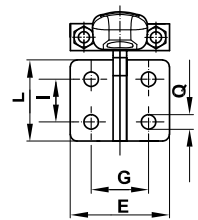
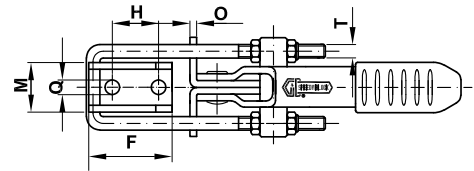
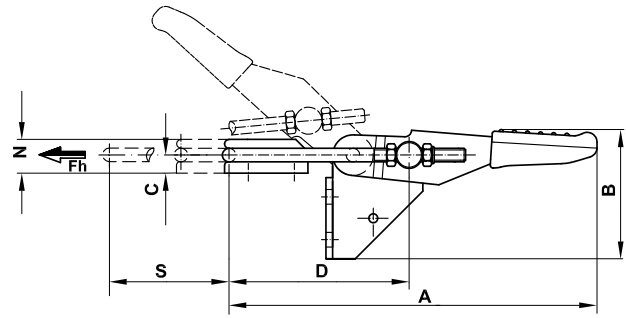
The tools of this series ensure a perfect closing of lids.

The support base is perpendicular to the force line of action.

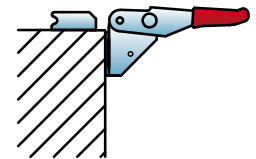
In the closed position, the control lever is perpendicular to the support base.

A special grease is placed between two contacting surfaces during assembly.

FORM T4



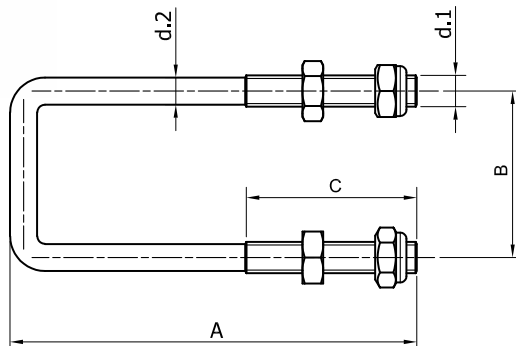
T4



T40

Code	Description	A	B	C	D	E	F	G	H	I	L	M	N	O	Q	S	T	Fh (daN)	gr.
AL560	160/T4	104	40	5	49÷58	35	25,5	22	14,3	13	26	14	10	2	4,3	23,5÷27,5	M4	160	95
AL565	320/T4	160	57,5	8	75÷95	44	37	25,5	20,5	19	36	22	15	3	6,5	40÷46	M6	320	295
AL570	700/T4	233	82	13	98÷122	54	48,5	36,5	27	32	52	26	23	3,5	8,5	50÷58	M8	750	655





U-SHAPED ACCESSORY FOR LATCH SERIES

Material:

Galvanized steel or **AISI 304 stainless steel** or **AISI 316 stainless steel**

Performance:

The rod comes complete with 4 nuts.

Code	Description	Stainless steel 304 Code	Description	Stainless steel 316 Code	Description	A	B	C	D.1	D.2
AX556	160/T2-T6	AX570	160/T2X	AX604	160/T16	56,4	21	27,5	M4	3,4
AX557	160/T3-T4	AX574	160/T3X			70,4	21	28,5	M4	3,4
AX556-103	160/T20-T30-T40-T60	AX570-103	160/T20X-T30X	AX604-103	160/T160	103,4	21	30	M4	3,4
AX556-153	160/T20-T30-T40-T60	AX570-153	160/T20X-T30X	AX604-153	160/T160	153,4	21	35	M4	3,4
AX556-203	160/T20-T30-T40-T60	AX570-203	160/T20X-T30X	AX604-203	160/T160	203,4	21	35	M4	3,4
AX558	320/T2-T6	AX572	320/T2X	AX606	320/T16	78,2	32	44	M6	5,2
AX559	320/T3-T4	AX576	320/T3X			110,2	32	44	M6	5,2
AX558-130	320/T20-T30-T40-T60	AX572-130	320/T20X-T30X	AX606-130	320/T160	130,2	32	45	M6	5,2
AX558-155	320/T20-T30-T40-T60	AX572-155	320/T20X-T30X	AX606-155	320/T160	155,2	32	45	M6	5,2
AX558-205	320/T20-T30-T40-T60	AX572-205	320/T20X-T30X	AX606-205	320/T160	205,2	32	45	M6	5,2
AX560	700/T2-T6	AX573	700/T2X	AX608	700/T16	111,2	38	52	M8	7,2
AX563	700/T3-T4	AX577	700/T3X			143,2	38	56	M8	7,2
AX560-127	700/T20-T30-T40-T60	AX573-127	700/T20X-T30X	AX608-127	700/T160	127,2	38	60	M8	7,2
AX560-157	700/T20-T30-T40-T60	AX573-157	700/T20X-T30X	AX608-157	700/T160	157,2	38	60	M8	7,2
AX560-207	700/T20-T30-T40-T60	AX573-207	700/T20X-T30X	AX608-207	700/T160	207,2	38	60	M8	7,2

Code	Description	Stainless steel 304 Code	Description	A	B	C	D.1	D.2
AX561	1700/T2-T2S-T6-T6S	AX578	1700/T2X-T2SX-T6-T6SX	129	46	45	M10	9
AX564	1400/T3-T3S			149	46	55	M10	9
AX561-179	1400/T30-T3S0 1700/T20-T2S0-T60-T6S0	AX578-179	1700/T20X-T2S0X-T60X-T6S0X	179	46	45	M10	9
AX561-209	1400/T30-T3S0 1700/T20-T2S0-T60-T6S0	AX578-209	1700/T20X-T2S0X-T60X-T6S0X	209	46	45	M10	9
AX561-259	1400/T30-T3S0 1700/T20-T2S0-T60-T6S0	AX578-259	1700/T20X-T2S0X-T60X-T6S0X	259	46	45	M10	9
AX565	1500-1510/T2S			179	52	70	M10	8,9
AX562	4000/T2-T2S-T6-T6S	AX580	4000/T2X	150,8	55	70	M12	10,8
AX562-211	4000/T20-T2S0-T60-T6S0	AX580-211	4000/T20X-T2S0X-T60X-T6S0X	210,8	55	70	M12	10,8
AX562-361	4000/T20-T2S0-T60-T6S0	AX580-361	4000/T20X-T2S0X-T60X-T6S0X	360,8	55	70	M12	10,8
AX562-421	4000/T20-T2S0-T60-T6S0	AX580-421	4000/T20X-T2S0X-T60X-T6S0X	420,8	55	70	M12	10,8

T5 ROD SERIES WITH SAFETY LEVER (LIGHT PERFORMANCE)

The sizes of this series are also produced in stainless steel and are shown below in red.

Material:

Parts made of phosphated sheet metal and riveted pivots made of galvanized steel or **AISI 304 stainless steel**. Turned parts made of galvanized steel or **AISI 303 stainless steel**.

Handles:

Red polyurethane resistant to oils, grease and other chemical agents.

Rod:

Phosphated steel or **AISI 304 stainless steel** to be ordered separately.

Features and applications:

The tool can be opened with only one hand, disengage the working surface (the clamping lever opens by itself) and close it again for the next operation; you can choose from three different optional tie rods (to be ordered separately): Eye bolt rod "TG", T-shaped rod "TT", Hook Rod "TU".

The construction features and materials chosen make these tools highly resistant.

The support base is perpendicular to the force line of action.

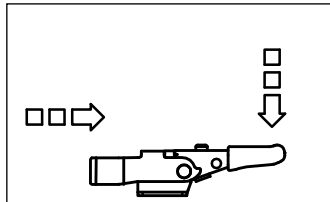
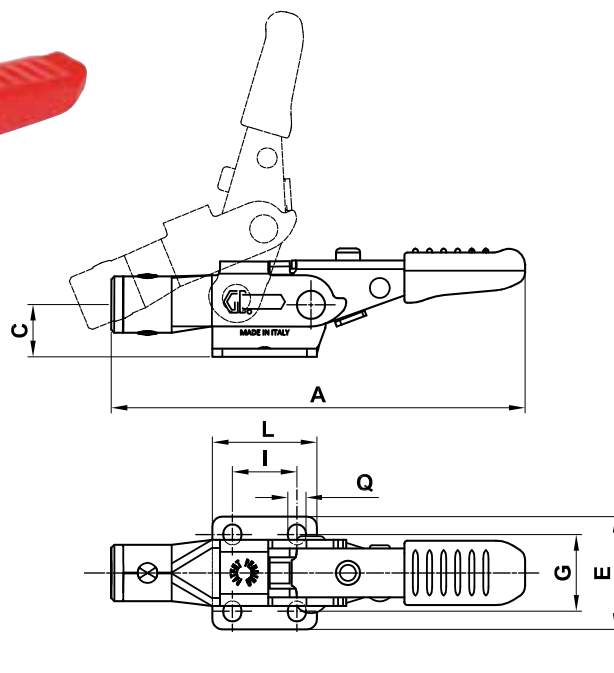
In the closed position, the control lever is parallel to the support base.

A special grease is placed between two contacting surfaces during assembly.

FORM T5



PATENTED

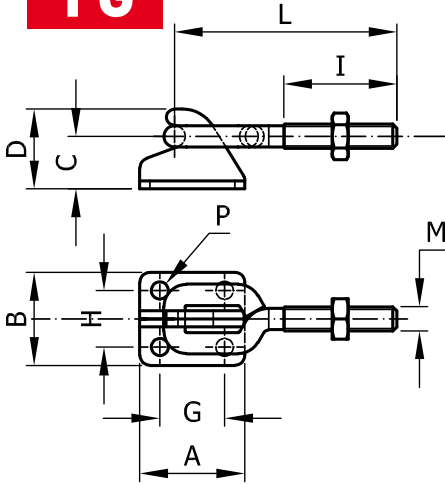


Code	Description	Stainless steel Code	Description	A	B	C	E	G	I	L	O	Q	Fh (daN)	gr.
AL575	160/T5	AS545	160/T5X	103	26,8	13	28	19	16	26	2	4,5	175	100
AL580	320/T5	AS550	320/T5X	153	38,5	19	44	32	19	40	3	6,7	400	295
AL585	700/T5	AS555	700/T5X	222	53	28	54	38,1	41,5	60	3,5	8,5	750	690

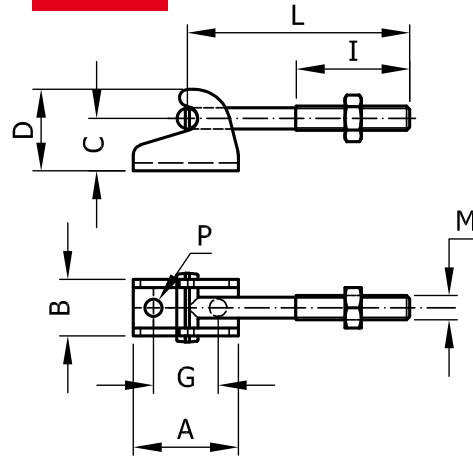




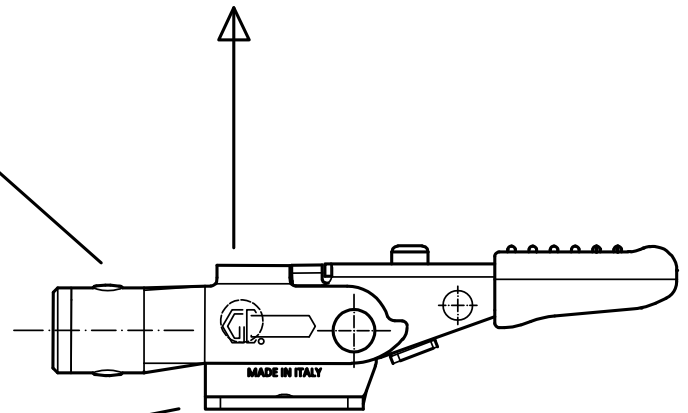
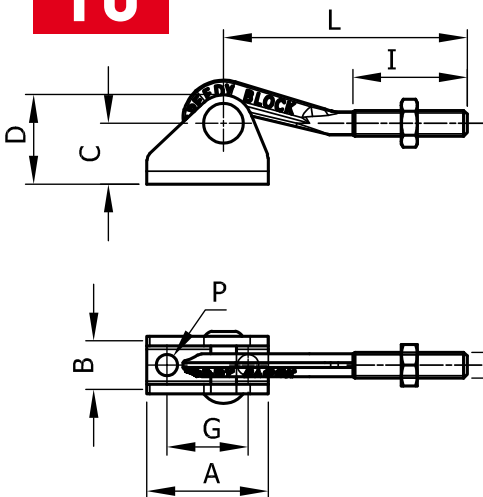
TG Eye bolt rod



TT T-shaped rod



TU Hook rod



Code	Description	Stainless steel Code	Description	A	B	C	D	G	H	I	L	M	P
AU400	160/TG	AU420	160/TGX	26	23	13	19,8	16	14,30	28	55,5	M6	4,5
AU406	320/TG	AU556	320/TGX	35	34	19	30	19	22,30	34	76,5	M8	6,7
AU412	700/TG	AU432	700/TGX	50	41	28	40,5	31	25,40	42	95,5	M10	8,5
Code	Description	Stainless steel Code	Description	A	B	C	D	G	H	I	L	M	P
AU402	160/TU	AU422	160/TUX	35	14	13	20,4	25,4	28	54,5	M6	4,5	
AU408	320/TU	AU428	320/TUX	38	18	19	28	25,4	34	76,5	M8	6,7	
AU414	700/TU	AU434	700/TUX	50	26	28	39	31	43	93	M10	8,5	
Code	Description	Stainless steel Code	Description	A	B	C	D	G	H	I	L	M	P
AU404	160/TT	AU424	160/TTX	26	14	13	20	16	28	55	M6	4,5	
AU410	320/TT	AU430	320/TTX	35	18	19	30	19	34	76,5	M8	6,7	
AU416	700/TT	AU436	700/TTX	50	26	28	40,5	31	43	93	M10	8,5	

T5 ROD SERIES WITH SAFETY LEVER (HEAVY PERFORMANCE)

Material:

Parts made of sheet metal and phosphated riveted pivots
Turned parts made of phosphated steel

Handles:

Red polyurethane resistant to oils, grease and other chemical agents.

Performance:

The tool comes with an eye bolt bar and hooking bracket.

Features and applications:

The tool can be opened with only one hand, disengage the working surface (the clamping lever opens by itself) and close it again for the next operation.

The construction features and materials chosen make these tools highly resistant.

The support base is perpendicular to the force line of action.

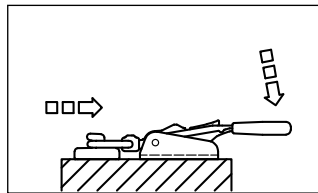
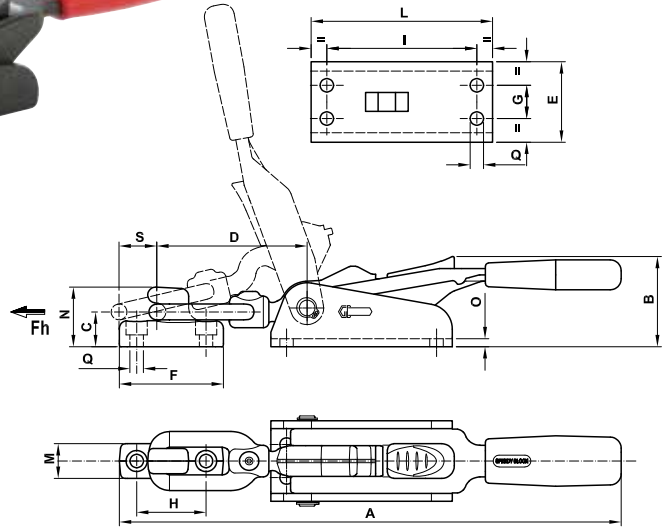
In the closed position, the control lever is parallel to the support base.

A special grease is placed between two contacting surfaces during assembly.

FORM T5



PATENTED



Code	Description	A	B	C	D	E	F	G	H	I	L	M	N	O	Q	S	Fh (daN)	gr.
AL590	1400/T5	318	57	22	95-105	51	66	21	44	95	115	22	38	5	8,5	25	1500	1600

