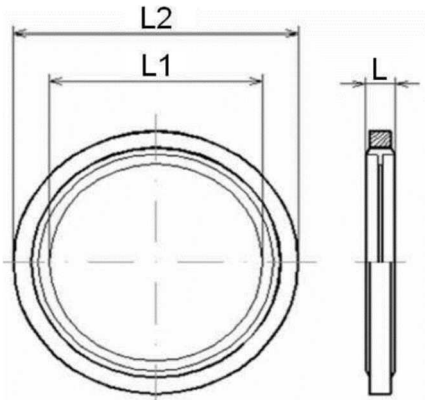


BSPP kombi alátét

Carbon steel



R1	Working Pressure (bar)	u/ Bag	L	L1	L2
1/8" BSP	900	100	2.03	10,37	15,88
1/4" BSP	930	100	2.03	13,74	20,57
3/8" BSP	756	100	2.03	17,28	23,8
1/2" BSP	690	100	2.5	21,54	28,58
5/8" BSP	750	100	2.5	23,49	31,75
3/4" BSP	636	100	2.5	27,5	34,93
1" BSP	400	50	2.5	33,89	42,8
1"1/4 BSP	410	25	3.25	42,93	52,38
1"1/2 BSP	410	25	3.25	48,44	58,6
2" BSP	420	25	3.25	60,58	73,3
2" 1/2 BSP	400	25	3.25	76,8	90,17