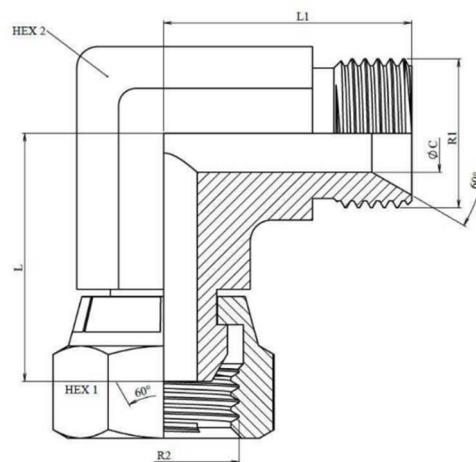


## L-idom KB BSPP-BSPP

### 90° Elbow BSP male-BSP swivel female forge



R1	R2	L	L1	HEX 1	HEX 2	ØC
1/8 " BSP	1/8 " BSP	22	20	14	10	3,5
1/4" BSP	1/4" BSP	25	25,4	19	14	4,7
3/8" BSP	3/8" BSP	33	28,5	22	19	7,9
1/2" BSP	1/2" BSP	35	35	27	22	11
3/4" BSP	3/4" BSP	42	42	32	27	16
1" BSP	1" BSP	47	47	41	32	19
1"1/4 BSP	1"1/4 BSP	49	52	50	46	26
1"1/2 BSP	1"1/2 BSP	63	59	55	65	33,3
2" BSP	2" BSP	75	60	70	65	16,7