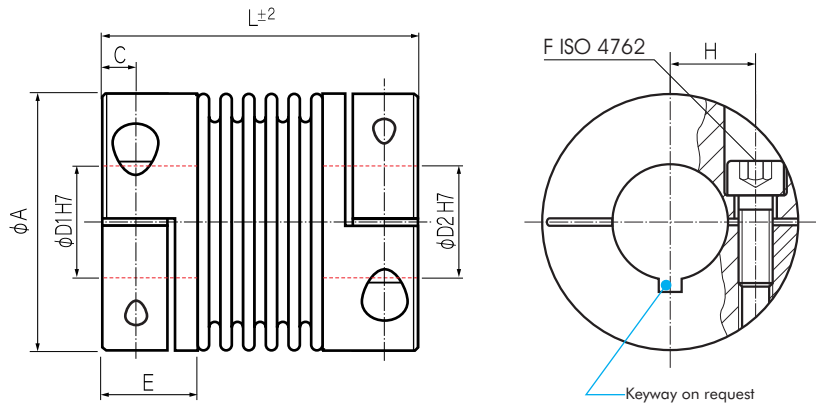


Bellows Couplings - Compact Version

with Collet Clamps



Order Code: KB 4C / 60 - 67 - 12 - 32 (- S)

Type / Size Length Ø D1 (H7) Ø D2 (H7) Options

	Torque T _{KN} (Nm)	Dimensions (mm)							Technical Ratings								
		L Length (±2)	Ø A Outer Ø	D1/D2 Bore Sizes (H7)	H	C	E	F Screw (DIN 912) T _A (Nm)	Mass (kg)	Moment of Inertia J (g m ²)	Spring Stiffness			Misalignment			max Speed rpm
											torsional C _T 10 ³ (Nm/rad)	radial C _R (N/mm)	axial C _A (N/mm)	radial ΔKr (mm)	axial ΔKa (mm)	angular ΔKw (°)	
KB4C/18	18	58	45	10-25.4	17	5.5	17.5	M5	0.07	0.03	20	205	50	0.2	0.5	1.5	12800
		66						8	0.12	0.04	15	82	36	0.25	0.5	2	12800
KB4C/30	30	58	56	10-30	20	7.3	21	M6	0.26	0.13	38	720	50	0.15	0.6	1.5	10300
		66						15	0.27	0.14	28	225	28	0.25	1	2	10300
KB4C/60	60	67	66	12-35	24	8.6	24	M8	0.38	0.28	75	1150	90	0.15	0.6	1.5	8700
		77						40	0.42	0.31	50	340	50	0.25	1	2	8700
KB4C/80	80	78	82	12-44	28	9.8	27	M10	0.70	0.78	128	1200	80	0.2	0.5	1.5	6900
		89						72	0.76	0.85	75	400	50	0.25	0.8	2	6900
KB4C/150	150	78	82	14-44	28	9.8	27	M10	0.73	0.82	155	2020	145	0.2	0.5	1.5	6900
		89						84	0.80	0.89	105	595	85	0.25	0.5	2	6900
KB4C/200	200	83	90	16-48	31	10.8	29	M12	0.89	1.19	175	2500	145	0.2	0.5	1.5	6400
		94						125	0.95	1.27	120	460	82	0.25	0.8	2	6400
KB4C/300	300	94	110	20-60	39	11.8	32.5	M12	1.37	2.74	502	6300	280	0.2	0.5	1.5	6000
		105						145	1.43	2.86	285	1400	145	0.25	0.8	2	6000
KB4C/500	500	100	122	25-70	45	13.3	36	M12	1.81	4.45	690	7790	100	0.2	0.5	1.5	5000
		111						145	1.91	4.69	320	970	85	0.25	1	2	5000

Material: Bellows - Stainless Steel
Hubs - Aluminium

Temperature Range: -30° ~ 120° C