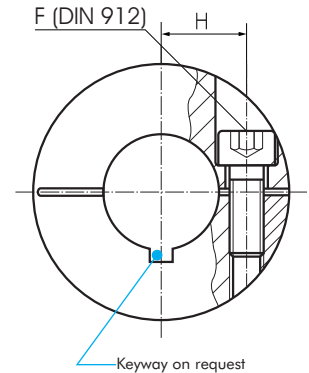
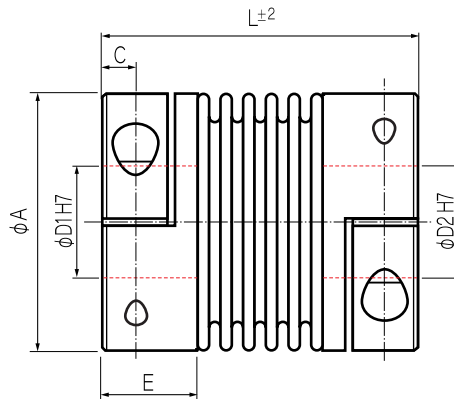


Bellows Couplings



Order Code: KB 4AL / 80 - 91 - 15 - 20 (- S)

Type / Size Length Ø D1 (H7) Ø D2 (H7) Options

	Torque T _{KN} (Nm)	Dimensions (mm)							Technical Ratings								
		L Length (±2)	Ø A Outer Ø	D1/D2 Bore Sizes (H7)	H	C	E	F Screw (DIN 912) T _A (Nm)	Mass (kg)	Moment of Inertia J (g m ²)	Spring Stiffness			Misalignment			max Speed rpm
											torsional C _T 10 ³ (Nm/rad)	radial C _R (N/mm)	axial C _A (N/mm)	radial ΔK _r (mm)	axial ΔK _a (mm)	angular ΔK _w (°)	
KB4AL/80	80	91	82	12-44	28	11	33.5	M10	0.8	0.90	128	1200	80	0.2	0.5	1.5	6900
		102						72	0.85	0.95	75	400	50	0.25	0.8	2	6900
KB4AL/150	150	91	82	14-44	28	11	33.5	M10	0.9	1.0	155	2020	145	0.2	0.5	1.5	6900
		102						84	0.95	1.05	105	595	85	0.25	0.5	2	6900
KB4AL/200	200	101	90	16-48	31	13	38	M12	1.17	1.49	175	2500	145	0.2	0.5	1.5	6400
		113						125	1.21	1.57	120	460	82	0.25	0.8	2	6400
KB4AL/300	300	105	110	20-60	40	13	38	M12	1.62	3.28	502	6300	280	0.2	0.5	1.5	6000
		116						145	1.66	3.37	285	1400	145	0.25	0.8	2	6000
KB4AL/500	500	112	122	25-65	42	15	42	M12	2.4	6.4	690	7790	100	0.2	0.5	1.5	5000
		123						145	2.5	6.7	320	970	85	0.25	1.0	2	5000

Aluminium Collet Clamps reduce mass and moment of inertia.

Material: Bellows - Stainless Steel
Hubs - Aluminium

Temperature Range: -30° ~ 120° C