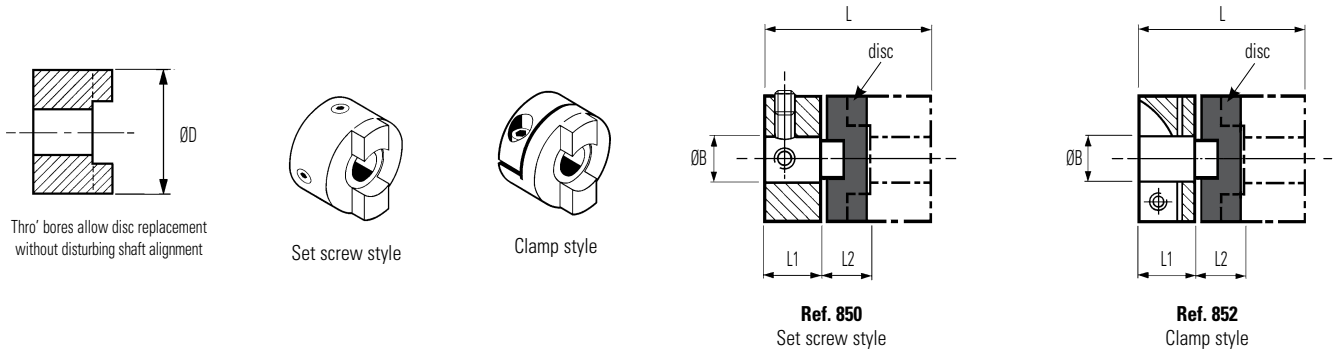


Stainless Steel Thro' Hubs



DIMENSIONS & ORDER CODES

| Size | Hub Ref | | Dimensions | | | | | | | Fasteners | | | Disc Ref | |
|------|-----------------|-------------|------------|------|-------|-------|------------|--|---------------------------|-----------|-----------|--------|---------------------|----------------|
| | Set Screw Style | Clamp Style | ØD mm | L mm | L1 mm | L2 mm | ØB1 Max mm | Moment of Inertia kgm ² x10 ⁻⁸ | Mass kg x10 ⁻³ | Size | Torque Nm | A/F mm | Acetal (black) Std. | Nylon 11 (Nat) |
| 13 | 850.13 | - | 12.7 | 15.9 | 5.5 | 1.7 | 6.35 | 26 | 14 | M3 | 0.3 | 1.5 | 236.13 | 238.13 |
| 19 | 850.19 | - | 19.1 | 26.0 | 9.4 | 7.2 | 8.0 | 220 | 45 | M4 | 1.0 | 2.0 | 236.19 | 238.19 |
| | - | 852.19 | | | | | | | | M2.5 | 0.6 | 2.0 | | |
| 25 | 850.25 | - | 25.4 | 32.4 | 11.6 | 9.2 | 12.0 | 587 | 76 | M5 | 2.1 | 2.5 | 236.25 | 238.25 |
| | - | 852.25 | | | | | | | | M3 | 1.2 | 2.5 | | |
| 33 | 850.33 | - | 33.3 | 42.0 | 15.0 | 12.0 | 16.0 | 2091 | 165 | M6 | 3.8 | 3.0 | 836.33 | 838.33 |
| | - | 852.33 | | | | | | | | M4 | 2.9 | 3.0 | | |
| 41 | 850.41 | - | 41.3 | 50.8 | 17.8 | 15.3 | 20.0 | 6822 | 305 | M6 | 3.8 | 3.0 | 236.41 | 238.41 |
| | - | 852.41 | | | | | | | | M5 | 5.9 | 4.0 | | |
| 50 | 850.50 | - | 50.0 | 59.6 | 20.6 | 20.6 | 25.4 | 17368 | 510 | M8 | 9.0 | 4.0 | 236.50 | N/A |
| | - | 852.50 | | | | | | | | M6 | 9.8 | 5.0 | | |

PERFORMANCE (AT 20°C WITH STANDARD ACETAL DISC)

| Coupling Size | Peak torque Nm | Max compensation @ 3000 rpm | | | Torsional | | Static break torque Nm |
|---------------|----------------|-----------------------------|-----------|------------|---------------|--------------------|------------------------|
| | | Angular deg | Radial mm | Axial ± mm | Rate deg / Nm | Stiffness Nm / rad | |
| 13 | 0.5 | 0.5 | 0.1 | 0.05 | 0.88 | 65 | 4 |
| 19 | 1.7 | | 0.2 | 0.1 | 0.50 | 115 | 8 |
| 25 | 4 | | 0.2 | 0.1 | 0.28 | 205 | 13 |
| 33 | 9 | | 0.2 | 0.15 | 0.093 | 615 | 53 |
| 41 | 17 | | 0.25 | 0.15 | 0.048 | 1200 | 57 |
| 50 | 30 | | 0.25 | 0.2 | 0.042 | 1375 | 95 |

Materials Finishes

Hubs: Stainless Steel 303 S31
- Natural Finish

Fasteners: Stainless Steel

IMPORTANT

Load capacity depends on application conditions:
see page 4 for details

STANDARD BORES® FOR ALL TYPES

| Coupling Size | ØB1, ØB2 +0.03mm/-0mm (+0.0012/-0) | | | | | | | | | | | | | | | | | | | | | | | |
|------------------|------------------------------------|----------|-----------|----|----------|----------|-----------|-----------|----|----|----|----|-----------|----|----|----|----|----|----|----|----|----|----|----|
| | 2 | 3 (1/8") | 4 (3/16") | 5 | 6 (1/4") | 8 (3/8") | 10 (1/2") | 12 (5/8") | 14 | 15 | 16 | 18 | 19 (3/4") | 20 | 24 | 25 | 30 | | | | | | | |
| 13 | | • | • | | • | • | | | | | | | | | | | | | | | | | | |
| 19 | | | • | • | • | • | | | | | | | | | | | | | | | | | | |
| 25 | | | | | • | • | • | • | | | | | | | | | | | | | | | | |
| 33 | | | | | | • | • | • | • | • | | | | | | | | | | | | | | |
| 41 | | | | | | | • | • | • | • | • | • | • | • | • | • | • | • | • | • | | | | |
| 50 | | | | | | | | • | • | • | • | • | • | • | • | • | • | • | • | • | | | | |
| Bore ref. | 11 | 14 | 16 | 18 | 19 | 20 | 22 | 24 | 28 | 31 | 32 | 35 | 36 | 38 | 40 | 41 | 42 | 45 | 46 | 47 | 48 | 51 | 52 | 56 |