

D206



TWO-SPOKE CONTROL HANDWHEEL WITH REVOLVING HANDLE

Materials:

Reinforced and stabilized polyamide. Resistant to oils and greases.

Surface finish: Satin.

Colour: Black (RAL 9011).

Central cap:

Grey polyamide (RAL 7035). 13).

Alternative cap colours:

Orange (RAL 2004 code 02).
 Blue (RAL 5015 code 07).
 Yellow (RAL 1021 code 10).
 Red (RAL 3000 code 16).
 Green (RAL 6024 code 17).
 Black (RAL 9011 code 01).

Main insert:

Galvanised steel insert with smooth through bore (tolerance H10).

Lateral insert:

Brass insert with threaded through hole.

Lateral handle:

D206: Revolving handle art. M144 (page).
 D209: Revolving handle art. M145 (page).
 D210: Revolving handle art. M129 (page).
 D211: Revolving handle art. M202 (page).

Hub:

Solid Hub.

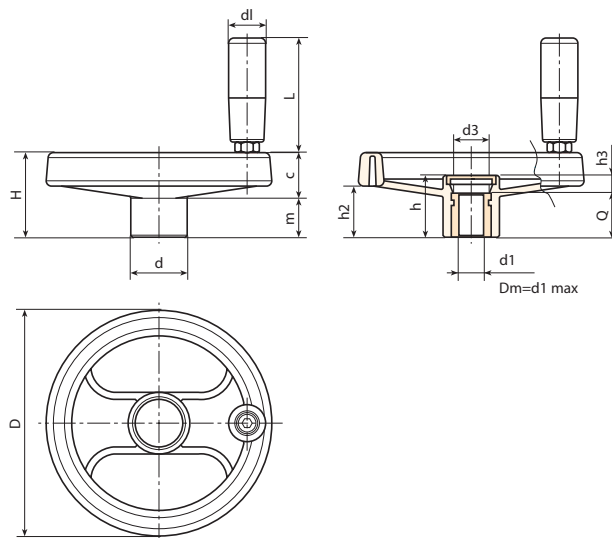
(*) Lightweight hub.

Fixing method:

For fixing systems, or execution of keyways or square holes, please refer to the technical notes attached to the catalogue [page].

Special requests:

- Upon request and for a minimum of 50 pieces inserts can be supplied with hole d1 with tolerance H7 and black oxide treated finish. Add letters ZB to the standard code. Example: D206130.TD1001PZB.
- Upon request and for special quantities inserts can be supplied with custom hole diameter d1.
- Upon request and for special quantities inserts can be supplied in different materials/with different coatings.
- Upon request and for special quantities spoke handwheels, handles and caps are available in the colours indicated in the chart (reduced range) [page].



Code	Art.	D	H	h	d	m	c	h2	h3	d3	d1	L	Dm	d1H10	Q	g
-	D206080.TP0501P	80	34	26	24,5	15,5	18,5	20	6	16,5	19	54	12	10	20	113
-	D206080.TD0801P	80	34	26	24,5	15,5	18,5	20	6	16,5	19	54	12	5	20	115
-	D206080.TD1001P	80	34	26	24,5	15,5	18,5	20	6	16,5	19	54	12	10	20	110
-	D206100.TP0501P	99	43	33	28	19,5	23,5	27	9	17	19	54	16	5	24	182
-	D206100.TD0801P	99	43	33	28	19,5	23,5	27	9	17	19	54	16	8	24	176
-	D206100.TD1001P	99	43	33	28	19,5	23,5	27	9	17	19	54	16	10	24	160
-	D206100.TD1201P	99	43	33	28	19,5	23,5	27	9	17	19	54	16	12	24	177
-	D206130.TP0501P	129	50	35,5	32	20	30	30	11,5	25,5	21	65,5	18	5	24	285
-	D206130.TD0801P	129	50	35,5	32	20	30	30	11,5	25,5	21	65,5	18	8	24	293
-	D206130.TD1001P	129	50	35,5	32	20	30	30	11,5	25,5	21	65,5	18	10	24	290
-	D206130.TD1201P	129	50	35,5	32	20	30	30	11,5	25,5	21	65,5	18	12	24	280
-	D206160.TD0801P	160	57,5	41	40	20	37,5	34	9	26	23,5	75	22	8	32	440
-	D206160.TD1401P	160	57,5	41	40	20	37,5	34	9	26	23,5	75	22	14	32	430
-	D206160.TD2001P	160	57,5	41	40	20	37,5	34	9	26	23,5	75	22	20	32	375
-	D206200.TD0801P	198	61,5	39,5	51	17	44	32	7,5	27	23,5	75	22	8	32	685
-	D206200.TD1601P	198	61,5	39,5	51	17	44	32	7,5	27	23,5	75	22	16	32	640
-	D206200.TD2001P	198	61,5	39,5	51	17	44	32	7,5	27	23,5	75	22	20	32	685
-	D206250.TD0801P	252	70	47	56	23	47	38,5	12	31,5	25,5	87	28	8	36	1100
-	D206250.TD2001P	252	70	47	56	23	47	38,5	12	31,5	25,5	87	28	20	36	1015
-	D206350.TD0801P	349	80	50	67	21,5	58,5	43,5	18	35	26,5	97,5	30	(*)8	32	1650

Attention: For a minimum of 50 pieces the diameter d1 can be customised (hole tolerance H10 galvanised and H7 black-oxide treated).
 Dm = Maximum obtainable diameter for subsequent machining (widening).

D209



TWO-SPOKE CONTROL HANDWHEEL WITH REVOLVING HANDLE M145

Code	Art.	D	H	h	d	m	c	h2	d1	L	d1 _{H10}	Q
-	80	34	26	24,5	15,5	18,5	20	20	20	55,5	5	20
-	99	43	33	28	19,5	23,5	27	20	20	55,5	5	24
-	129	50	35,5	32	20	30	30	23,5	23,5	67,5	5	24
-	160	57,5	41	40	20	37,5	34	25	25	77	8	32
-	198	61	39,5	51	17	44	32	25	25	77	8	32
-	252	70	48	56	23	47	38,5	26	26	85,5	8	36
-	349	80	50	67	21,5	58,5	43	28	28	96	(*)8	32

Attention: For a minimum of 50 pieces the diameter d1 can be customised (hole tolerance H10 galvanised and H7 black-oxide treated).

Dm = Maximum obtainable diameter for subsequent machining (widening).

Lateral handle:

Revolving handle art. M145 (page).

D

D210



TWO-SPOKE CONTROL HANDWHEEL WITH REVOLVING HANDLE M129

Code	Art.	D	H	h	d	m	c	h2	h3	d3	d1	L	Dm	Q	g
-	80	34	26	24,5	15,5	18,5	20	6	16,5	20	52	12	5	20	130
-	99	43	33	28	19,5	23,5	27	9	17	20	52	16	5	24	185
-	129	50	35,5	32	20	30	30	11,5	25,5	23,5	62,5	18	5	24	280
-	160	57,5	41	40	20	37,5	34	9	26	25	72	22	8	32	455
-	198	61	39,5	51	17	44	32	7,5	27	25	72	22	8	32	700
-	252	70	48	56	23	47	38,5	12	31,5	26	81,5	28	8	36	1050
-	349	80	50	67	21,5	58,5	43	18	35	28	89,5	30	(*)8	32	1600

Attention: For a minimum of 50 pieces the diameter d1 can be customised (hole tolerance H10 galvanised and H7 black-oxide treated).

Dm = Maximum obtainable diameter for subsequent machining (widening).

Lateral handle:

Revolving handle art. M129 (page).

D211



TWO-SPOKE CONTROL HANDWHEEL WITH REVOLVING HANDLE M202

Code	Art.	D	D2	H	h	d	m	c	h2	h3	d3	d1	L	Dm	Q	g
-	252	257	70	48	56	23	47	38,5	12	31,5	40	63,5	28	8	36	1100
-	349	-	80	50	67	21,5	58,5	43	18	35	40	63,5	30	(*)8	32	1630

Attention: For a minimum of 50 pieces the diameter d1 can be customised (hole tolerance H10 galvanised and H7 black-oxide treated).

Dm = Maximum obtainable diameter for subsequent machining (widening).

Lateral handle:

Revolving handle art. M202 (page).