

# A593CIN



## INDEXED ZAMAK CLAMPING LEVER WITH THREADED STAINLESS STEEL STUD

INOX

### Materials:

Lever body in die-cast zamak (zinc, aluminium and copper alloy).

### Surface finish:

Smooth. Epoxy powder coating.

### Lever body colour:

Glossy black (RAL 9005 cod. 01).  
 Matt black (RAL 9005 cod. 20).  
 Orange (RAL 2004 code 02).  
 Red (RAL 3000 code 16).  
 Silver (RAL 9006 cod. 83).  
 Grey (RAL 7037 cod. 80).  
 Blue (RAL 5015 code 07).  
 Untreated lever (code GRE).

### Inserts:

Stainless steel insert with threaded stud (Aisi 303) (thread tolerance 6g).

### Fixing screw:

Stainless steel screw (Aisi 304) with hexagon socket head.

### Spring:

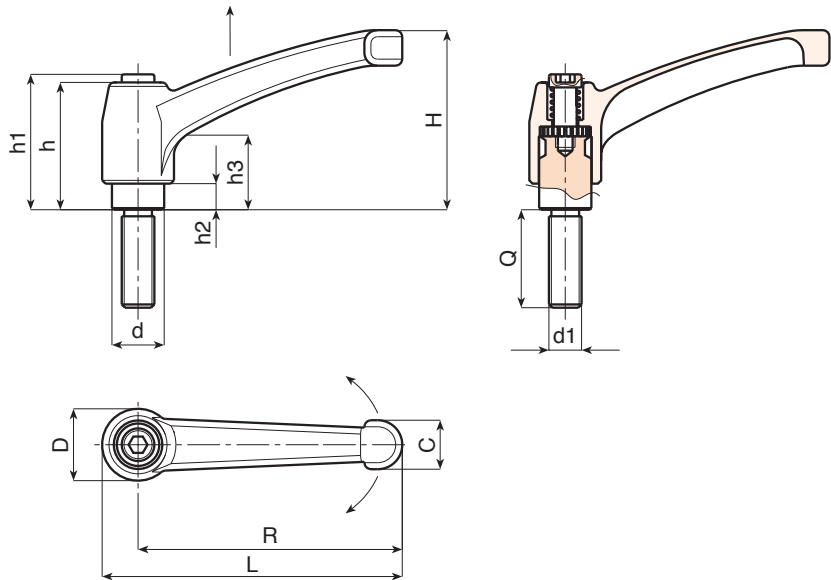
Stainless steel spring (Aisi 302).

### Special requests:

- Upon request and for a minimum of 50 pieces inserts can be supplied with customised lengths.

### Attention:

For lengths exceeding LM, the threaded stud is supplied assembled.



### Versione 01: Nero lucido (Ral 9005)

INOX

Code	Art.	L	R	H	D	d	c	h	h1	h2	h3	LM	d16g	Q	
-	A593043.ZM05X1601CIN	50	43	30	14	10	9	26	30	5	14	50	M5	16	31
-	A593043.ZM05X2001CIN	50	43	30	14	10	9	26	30	5	14	50	M5	20	32
-	A593043.ZM05X3001CIN	50	43	30	14	10	9	26	30	5	14	50	M5	30	34
-	A593043.ZM06X1601CIN	50	43	30	14	10	9	26	30	5	14	50	M6	16	31
-	A593043.ZM06X2001CIN	50	43	30	14	10	9	26	30	5	14	50	M6	20	32
-	A593043.ZM06X3001CIN	50	43	30	14	10	9	26	30	5	14	50	M6	30	34
-	A593043.ZM08X2501CIN	50	43	30	14	10	9	26	30	5	14	60	M8	25	39
-	A593065.ZM08X1601CIN	75	65	45	19	14	13	32	34	7	14	60	M8	16	82
-	A593065.ZM08X2001CIN	75	65	45	19	14	13	32	34	7	14	60	M8	20	83
-	A593065.ZM08X3001CIN	75	65	45	19	14	13	32	34	7	14	60	M8	30	86
-	A593065.ZM08X4001CIN	75	65	45	19	14	13	32	34	7	14	60	M8	40	89
-	A593065.ZM10X3001CIN	75	65	45	19	14	13	32	34	7	14	60	M10	30	94
-	A593065.ZM10X4001CIN	75	65	45	19	14	13	32	34	7	14	60	M10	40	99
-	A593080.ZM10X2001CIN	91	80	57	22	16	16	40	42	8	16	60	M10	20	146
-	A593080.ZM10X3001CIN	91	80	57	22	16	16	40	42	8	16	60	M10	30	151
-	A593080.ZM10X4001CIN	91	80	57	22	16	16	40	42	8	16	60	M10	40	156
-	A593080.ZM12X2001CIN	91	80	57	22	16	16	40	42	8	16	60	M12	20	150
-	A593080.ZM12X3001CIN	91	80	57	22	16	16	40	42	8	16	60	M12	30	157
-	A593080.ZM12X5001CIN	91	80	57	22	16	16	40	42	8	16	60	M12	50	171
-	A593094.ZM12X2001CIN	107	94	65	26	20	17.5	47	50	10.5	19	60	M12	20	229
-	A593094.ZM12X3001CIN	107	94	65	26	20	17.5	47	50	10.5	19	60	M12	30	236
-	A593094.ZM14X3001CIN	107	94	65	26	20	17.5	47	50	10.5	19	60	M14	30	240
-	A593094.ZM14X5001CIN	107	94	65	26	20	17.5	47	50	10.5	19	60	M14	50	260
-	A593094.ZM16X5001CIN	107	94	65	26	20	17.5	47	50	10.5	19	70	M16	50	278

Lunghezza perno a richiesta con un minimo di 300 pezzi.

# A593CIN

## INDEXED ZAMAK CLAMPING LEVER WITH THREADED STAINLESS STEEL STUD



INOX

### Versione 20: Nero opaco (Ral 9005)

INOX

Code	Art.	L	R	H	D	d	c	h	h1	h2	h3	LM	d16g	Q	g
-	A593043.ZM05X1620CIN	50	43	30	14	10	9	26	30	5	14	50	M5	16	31
-	A593043.ZM05X2020CIN	50	43	30	14	10	9	26	30	5	14	50	M5	20	32
-	A593043.ZM05X3020CIN	50	43	30	14	10	9	26	30	5	14	50	M5	30	34
-	A593065.ZM08X1620CIN	75	65	45	19	14	13	32	34	7	14	60	M8	16	82
-	A593065.ZM08X2020CIN	75	65	45	19	14	13	32	34	7	14	60	M8	20	83
-	A593065.ZM08X3020CIN	75	65	45	19	14	13	32	34	7	14	60	M8	30	86
-	A593065.ZM08X4020CIN	75	65	45	19	14	13	32	34	7	14	60	M8	40	89
-	A593065.ZM10X3020CIN	75	65	45	19	14	13	32	34	7	14	60	M10	30	94
-	A593065.ZM10X4020CIN	75	65	45	19	14	13	32	34	7	14	60	M10	40	99
-	A593080.ZM10X2020CIN	91	80	57	22	16	16	40	42	8	16	60	M10	20	146
-	A593080.ZM10X3020CIN	91	80	57	22	16	16	40	42	8	16	60	M10	30	151
-	A593080.ZM10X4020CIN	91	80	57	22	16	16	40	42	8	16	60	M10	40	156
-	A593080.ZM12X2020CIN	91	80	57	22	16	16	40	42	8	16	60	M12	20	150
-	A593080.ZM12X3020CIN	91	80	57	22	16	16	40	42	8	16	60	M12	30	157
-	A593080.ZM12X5020CIN	91	80	57	22	16	16	40	42	8	16	60	M12	50	171
-	A593094.ZM12X2020CIN	107	94	65	26	20	17.5	47	50	10.5	19	60	M12	20	229
-	A593094.ZM12X3020CIN	107	94	65	26	20	17.5	47	50	10.5	19	60	M12	30	236
-	A593094.ZM14X3020CIN	107	94	65	26	20	17.5	47	50	10.5	19	60	M14	30	240
-	A593094.ZM14X5020CIN	107	94	65	26	20	17.5	47	50	10.5	19	60	M14	50	260
-	A593094.ZM16X5020CIN	107	94	65	26	20	17.5	47	50	10.5	19	70	M16	50	278

Lunghezza perno a richiesta con un minimo di 300 pezzi.

LM = maximum turning length.

INOX

### Versione 02: Arancio (Ral 9006)

Code	Art.	L	R	H	D	d	c	h	h1	h2	h3	LM	d16g	Q	g
-	A593043.ZM05X1602CIN	50	43	30	14	10	9	26	30	5	14	50	M5	16	31
-	A593043.ZM05X2002CIN	50	43	30	14	10	9	26	30	5	14	50	M5	20	32
-	A593043.ZM05X3002CIN	50	43	30	14	10	9	26	30	5	14	50	M5	30	34
-	A593065.ZM08X1602CIN	75	65	45	19	14	13	32	34	7	14	60	M8	16	82
-	A593065.ZM08X2002CIN	75	65	45	19	14	13	32	34	7	14	60	M8	20	83
-	A593065.ZM08X3002CIN	75	65	45	19	14	13	32	34	7	14	60	M8	30	86
-	A593065.ZM08X4002CIN	75	65	45	19	14	13	32	34	7	14	60	M8	40	89
-	A593065.ZM10X3002CIN	75	65	45	19	14	13	32	34	7	14	60	M10	30	94
-	A593080.ZM10X2002CIN	91	80	57	22	16	16	40	42	8	16	60	M10	20	146
-	A593080.ZM10X3002CIN	91	80	57	22	16	16	40	42	8	16	60	M10	30	151
-	A593080.ZM10X4002CIN	91	80	57	22	16	16	40	42	8	16	60	M10	40	156
-	A593080.ZM12X2002CIN	91	80	57	22	16	16	40	42	8	16	60	M12	20	150
-	A593080.ZM12X3002CIN	91	80	57	22	16	16	40	42	8	16	60	M12	30	157
-	A593080.ZM12X5002CIN	91	80	57	22	16	16	40	42	8	16	60	M12	50	171
-	A593094.ZM12X2002CIN	107	94	65	26	20	17.5	47	50	10.5	19	60	M12	20	229
-	A593094.ZM12X3002CIN	107	94	65	26	20	17.5	47	50	10.5	19	60	M12	30	236
-	A593094.ZM14X3002CIN	107	94	65	26	20	17.5	47	50	10.5	19	60	M14	30	240
-	A593094.ZM14X5002CIN	107	94	65	26	20	17.5	47	50	10.5	19	60	M14	50	260
-	A593094.ZM16X5002CIN	107	94	65	26	20	17.5	47	50	10.5	19	70	M16	50	278

Lunghezza perno a richiesta con un minimo di 300 pezzi.

LM = maximum turning length.

INOX

### Versione 20: Grigio (Ral 7037)

Code	Art.	L	R	H	D	d	c	h	h1	h2	h3	LM	d16g	Q	g
-	A593043.ZM05X1680CIN	50	43	30	14	10	9	26	30	5	14	50	M5	16	31
-	A593043.ZM05X2080CIN	50	43	30	14	10	9	26	30	5	14	50	M5	20	32
-	A593043.ZM05X3080CIN	50	43	30	14	10	9	26	30	5	14	50	M5	30	34
-	A593065.ZM08X1680CIN	75	65	45	19	14	13	32	34	7	14	60	M8	16	82
-	A593065.ZM08X2080CIN	75	65	45	19	14	13	32	34	7	14	60	M8	20	83
-	A593065.ZM08X3080CIN	75	65	45	19	14	13	32	34	7	14	60	M8	30	86
-	A593065.ZM08X4080CIN	75	65	45	19	14	13	32	34	7	14	60	M8	40	89
-	A593065.ZM10X3080CIN	75	65	45	19	14	13	32	34	7	14	60	M10	30	94
-	A593065.ZM10X4080CIN	75	65	45	19	14	13	32	34	7	14	60	M10	40	99
-	A593080.ZM10X2080CIN	91	80	57	22	16	16	40	42	8	16	60	M10	20	146
-	A593080.ZM10X3080CIN	91	80	57	22	16	16	40	42	8	16	60	M10	30	151
-	A593080.ZM10X4080CIN	91	80	57	22	16	16	40	42	8	16	60	M10	40	156
-	A593080.ZM12X2080CIN	91	80	57	22	16	16	40	42	8	16	60	M12	20	150
-	A593080.ZM12X3080CIN	91	80	57	22	16	16	40	42	8	16	60	M12	30	157
-	A593080.ZM12X5080CIN	91	80	57	22	16	16	40	42	8	16	60	M12	50	171
-	A593094.ZM12X2080CIN	107	94	65	26	20	17.5	47	50	10.5	19	60	M12	20	229
-	A593094.ZM12X3080CIN	107	94	65	26	20	17.5	47	50	10.5	19	60	M12	30	236